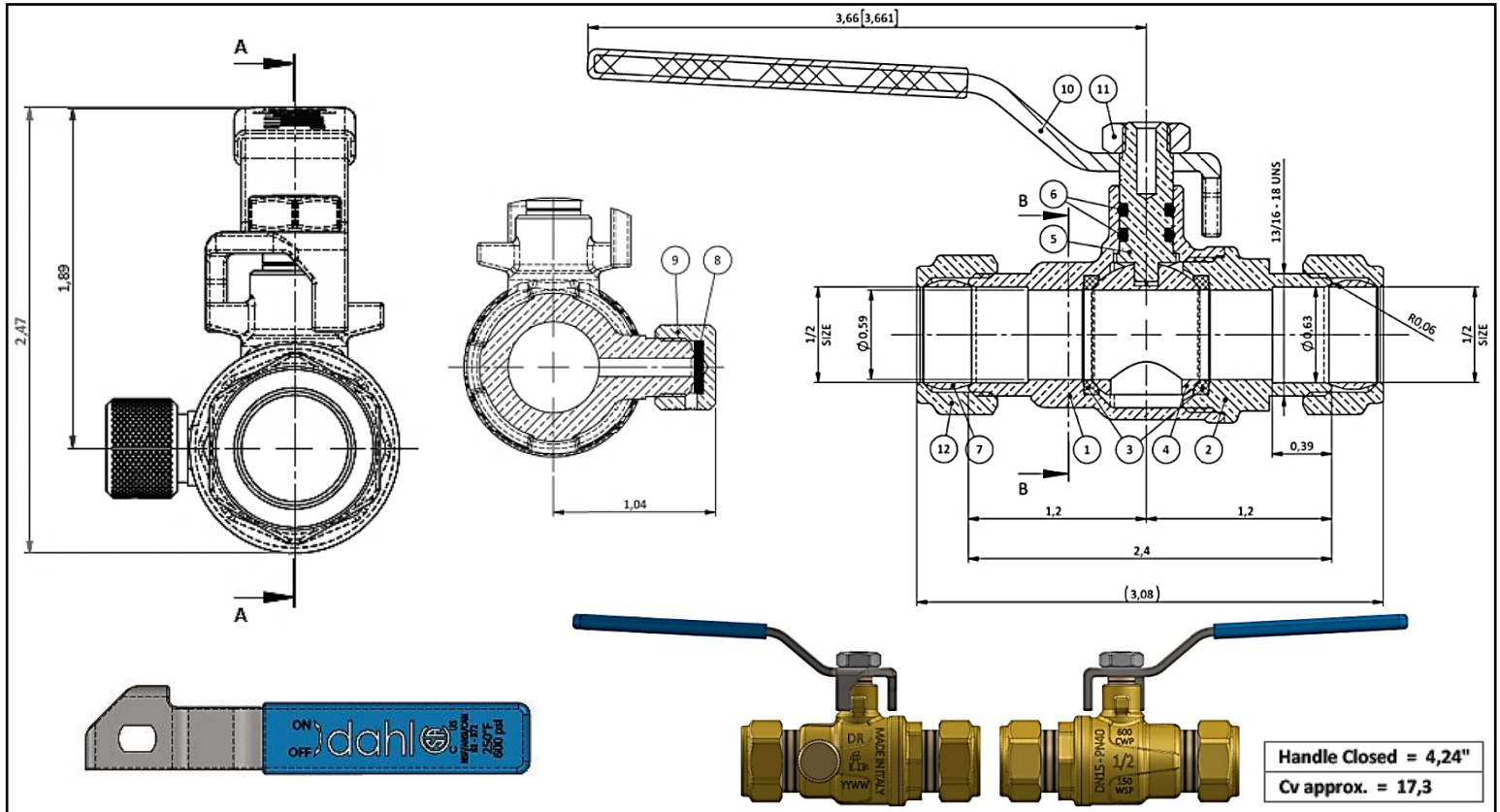


TDS - 2006
New Dec/25

Full Port Ball Valve
Lead-Free Compliant - Plumbing, Heating, Cooling

COMPRESSION x COMPRESSION with Drain



Part# 500-050-SH-CC-D

- | | |
|--|------------------------------|
| 1. Body - Brass | 7. Olives - Brass |
| 2. End - 5/8 OD Comp (1/2 Nom. Pipe) - Brass | 8. Gasket - EPDM |
| 3. Seals - PTFE | 9. Drain Cap - Brass |
| 4. Ball - Plated Brass | 10. Lever Handle - Steel |
| 5. Spindle - Brass | 11. Nut - Stainless Steel |
| 6. O-Rings - EPDM | 12. Compression Nuts - Brass |

Technical Data:

Pressure Rating: 600 CWP - 150 WSP
Temperature Rating: -4°F - 250°F
Maximum Glycol Mix: 50%
Follow glycol manufacturer recommendations

Standards:

ASME A112.4.14/CSA B125.14
NSF/ANSI/CAN 61 & 372

