



Lifetime
Warranty

Turn supply stops into dual shut-off stops!



The Most Flexible Solution for Multiple Hookups

- Eliminates costly multiple dual shut-off inventory
- Simplifies installation
- Works with any manufacturer's 5/8 OD Comp (1/2 Nom.) Supply Stop

Add standard stops to Universal Tee to create custom dual shut-off stops...

...and go from there to configure multi-shut-off manifolds



Made in Canada with American Materials

All dahl products for potable plumbing applications are lead-free compliant.

COPPER - Remove compression nuts to convert into Connecting Tee



E33-43-43-PL
5/8 OD Comp (1/2 Nom. Pipe) x
5/8 OD Fem. Comp x
5/8 OD Fem. Comp, Plated



E43-43-33-PL
5/8 OD Fem. Comp x
5/8 OD Fem. Comp x
5/8 OD Comp (1/2 Nom. Pipe), Plated

IRON



E53-43-43-PL
1/2 FIP x
5/8 OD Fem. Comp x
5/8 OD Fem. Comp, Plated



E43-43-53-PL
5/8 OD Fem. Comp x
5/8 OD Fem. Comp x
1/2 FIP, Plated

CONNECTING TEES



E33LNS-43-43-PL
5/8 OD Comp less nut
& sleeve x
5/8 OD Fem. Comp x
5/8 OD Fem. Comp, Plated



E43-43-33LNS-PL
5/8 OD Fem. Comp x
5/8 OD Fem. Comp x
5/8 OD Comp
less nut & sleeve, Plated

Compatible with all other Universal Tee models to make up Multi-Shut-off Manifolds

QUICK-GRIP™ - Simply pushes onto 1/2 Copper, PEX or CPVC



EQG3-43-43-PL
1/2 QUICK-GRIP™ x
5/8 OD Fem. Comp x
5/8 OD Fem. Comp, Plated



E43-43-QG3-PL
5/8 OD Fem. Comp x
5/8 OD Fem. Comp x
1/2 QUICK-GRIP™, Plated

PEX Crimp - ASTM F1807



EPX3-43-43-PL
1/2 Crimpex x
5/8 OD Fem. Comp x
5/8 OD Fem. Comp, Plated



E43-43-PX3-PL
5/8 OD Fem. Comp x
5/8 OD Fem. Comp x
1/2 Crimpex, Plated

PEX-A Cold Expansion - ASTM F1960



EPRPX3-43-43-PL
1/2 F1960 x
5/8 OD Fem. Comp x
5/8 OD Fem. Comp, Plated



E43-43-PRPX3-PL
5/8 OD Fem. Comp x
5/8 OD Fem. Comp x
1/2 F1960, Plated

CPVC - Female



E46-43-43-PL
1/2 Fem. CPVC x
5/8 OD Fem. Comp x
5/8 OD Fem. Comp, Plated



E43-43-46-PL
5/8 OD Fem. Comp x
5/8 OD Fem. Comp x
1/2 Fem. CPVC, Plated

Other Universal Tee options are available. For details please call or email us.



dahl Valve Limited
2600 South Sheridan Way,
Mississauga, ON, Canada L5J 2M4
www.dahlvalve.com

1.800.268.2363 U.S. Toll-Free
1.800.268.5355 CAN Toll-Free
1.800.226.1801 CAN & U.S. Fax
sales@dahlvalve.com E-mail



Scan to watch our video

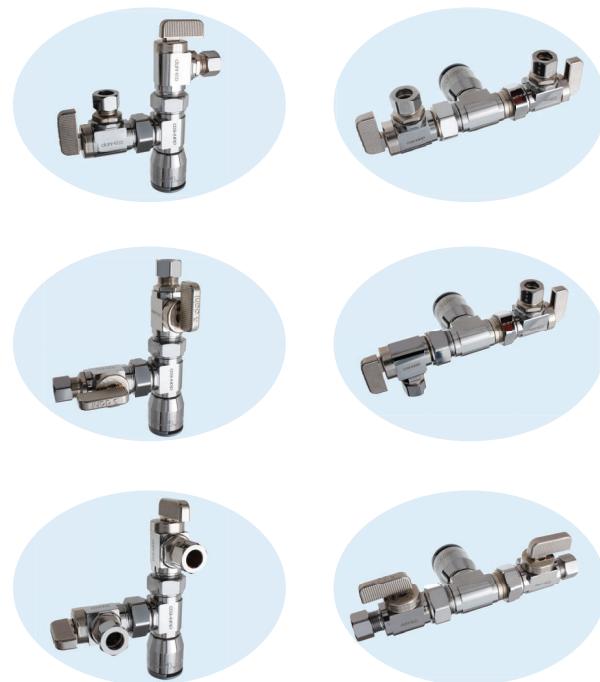


NSF/ANSI/CAN 61: Q < 0.5
Made in Canada
2023/08/01
BRUNIVERSALENG

What can you do with Universal Tees™?

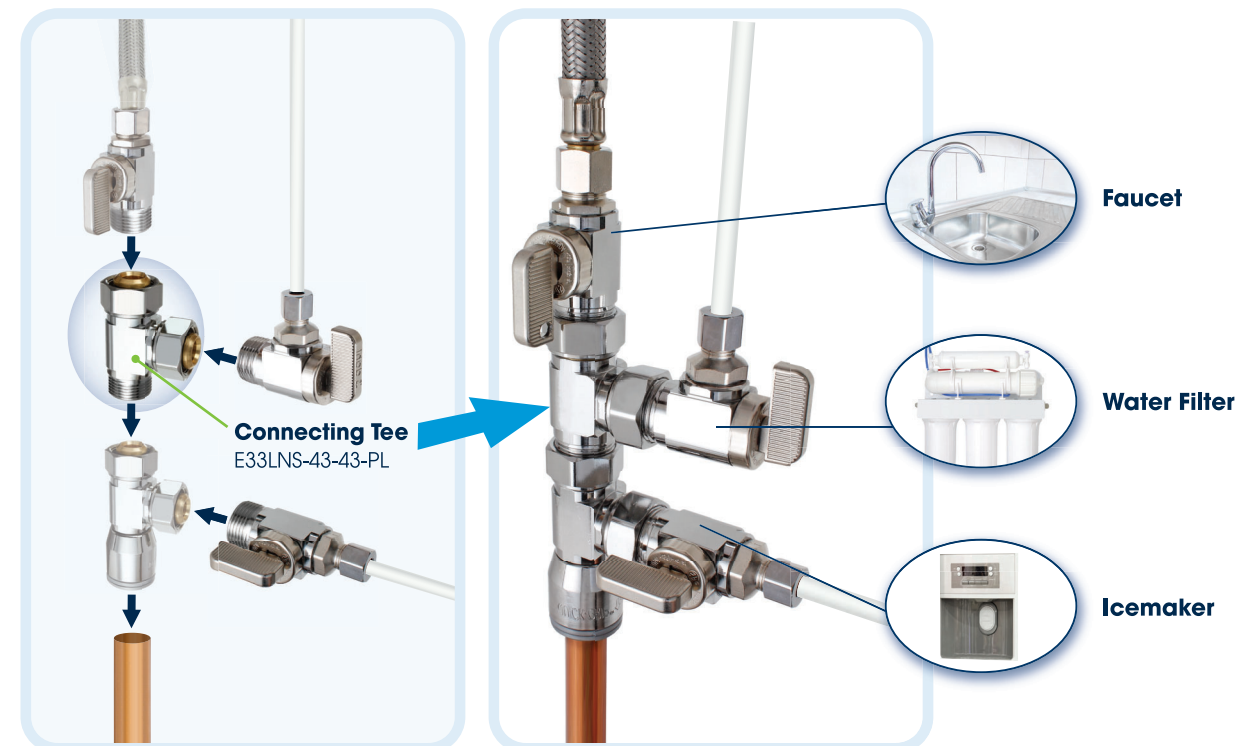
Carry less stock!

Two Tee Patterns let you create over 20 dual shut-off configurations; here are a few examples...



Just about anything!

You can easily add Connecting Tees for when you need to make more than two hookups



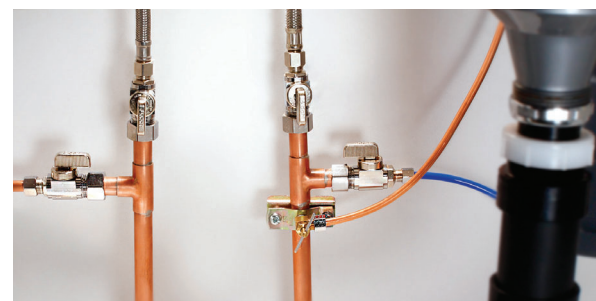
The dahl Way

A single Universal Tee easily creates a dual shut-off on the hot side for the faucet and dishwasher. On the cold side, a Connecting Tee is added to supply the faucet, instant hot water dispenser and water filter.



The Old Way

The same installation without Universal Tee requires the time and effort of measuring, cutting, and installing extra fittings to create the necessary hookups.



Every Universal Tee female compression connection has a Swivel Union Nut. It helps you create the ideal riser layout.

