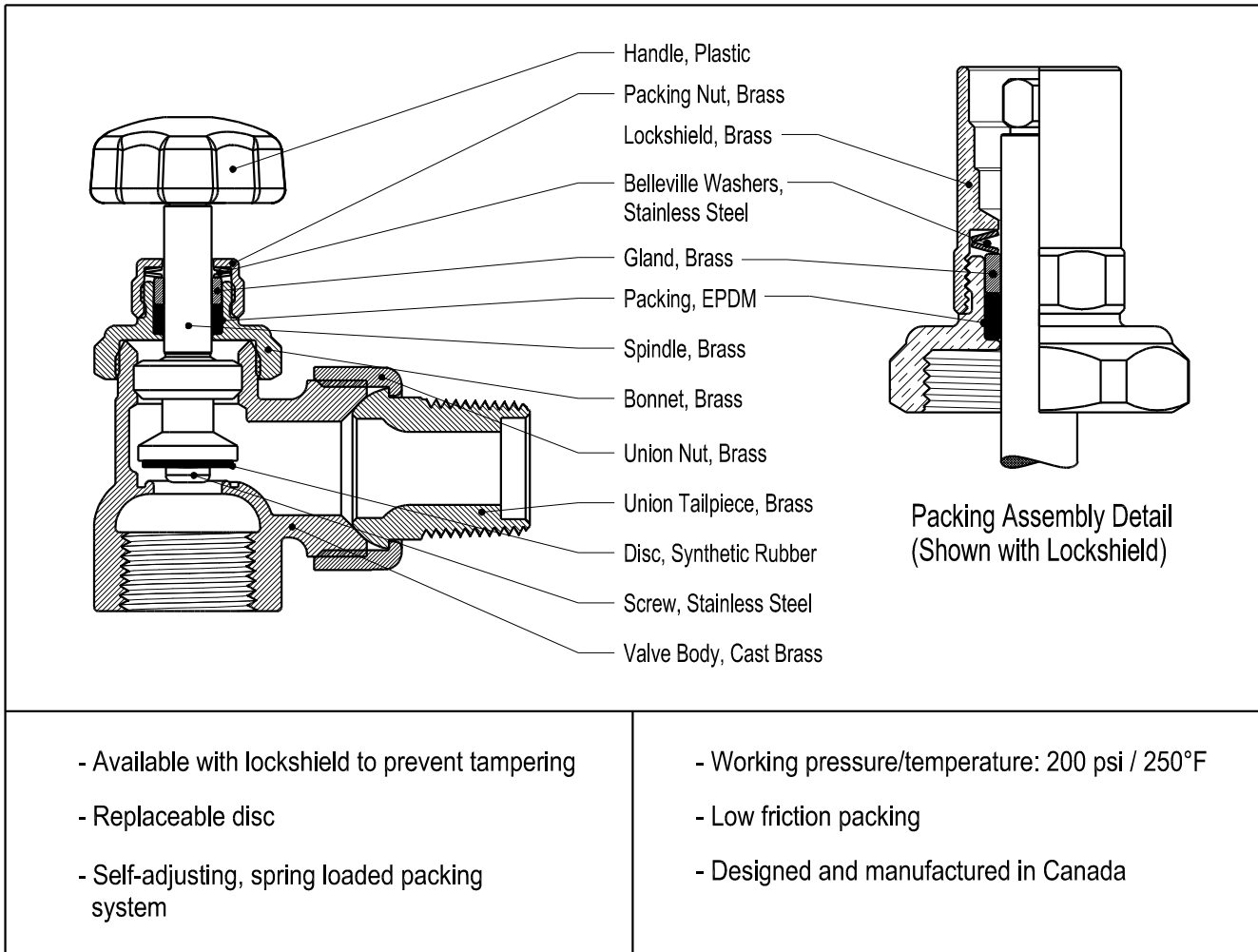


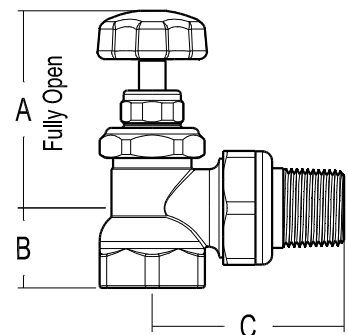
Dahl Brass Radiator Valves Regular Pattern - Angle

TDS-1002
New Apr/06
Replaces: TDS-1,2

For Forced Heating or Cooling Systems



Size (Inlet x Outlet)	Part Number	C _v (USGPM)	A _{Handle}	A _{Lockshield}	B	C
1/2F x 1/2 Dual Union	110214112	2.5	2-1/2"	2"	7/8"	2-3/8"
3/4F x 3/4M Union	110216113	5.5	2-3/4"	2-1/4"	1"	2-1/2"



dahl brothers canada limited

2600 SOUTH SHERIDAN WAY, MISSISSAUGA, ON, CANADA L5J 2M4
905-822-2330 CAN 800-268-5355 U.S. 800-268-2363
FAX(905) 855-1450, USA AND CANADA 800-226-1801

We reserve the right to alter prices and/or technical details without notice