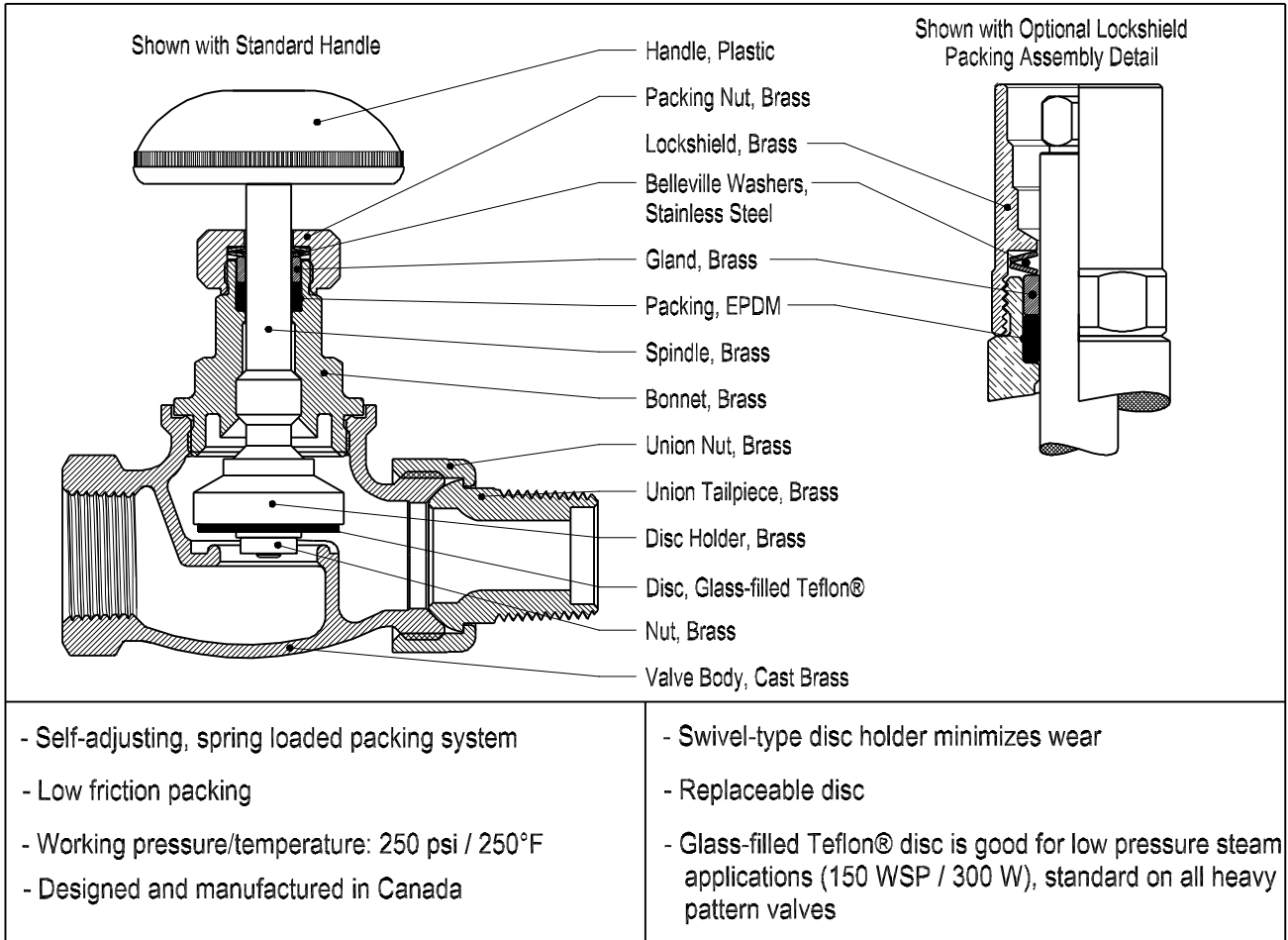


Dahl Brass Radiator Valves Heavy Pattern - Straight

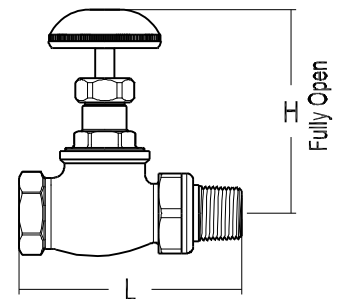
TDS-1004
Rev July/10
Replaces: TDS-3

For Steam, Forced Heating or Cooling Systems



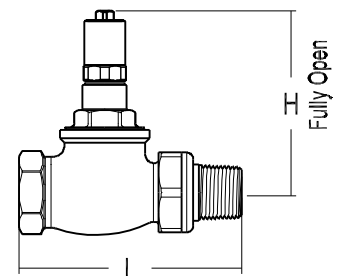
With Standard Handle

11042	Size (Inlet x Outlet)	Part Number	C _v (USGPM)	H _{Handle}	L
	1/2F x 1/2 Dual Union	110424112	4.7	3-3/4"	3-3/4"
	3/4F x 1/2 Dual Union	110426121	TBA	3-3/4"	4-1/8"
	3/4F x 3/4M Union	110426113	8.2	3-3/4"	4-1/8"
	1 F x 1 M Union	110428114	13.0	4-5/8"	5-1/4"
	1-1/4F x 1-1/4M Union	110429115	21.1	4-3/4"	5-3/4"



With Tamper Resistant Lockshield

11042-LS	Size (Inlet x Outlet)	Part Number	C _v (USGPM)	H _{Lockshield}	L
	1/2F x 1/2 Dual Union	1104241124	4.7	3-1/4"	3-3/4"
	3/4F x 1/2 Dual Union	1104261214	TBA	3-1/4"	4-1/8"
	3/4F x 3/4M Union	1104261134	8.2	3-1/4"	4-1/8"
	1 F x 1 M Union	1104281144	13.0	4-1/8"	5-1/4"
1-1/4F x 1-1/4M Union	1104291154	21.1	4-1/4"	5-3/4"	



dahl brothers canada limited

2600 S. SHERIDAN WAY, MISSISSAUGA, ON, CANADA L5J 2M4
905-822-2330 CAN 800-268-5355 U.S. 800-268-2363
FAX(905) 855-1450, USA AND CANADA 800-226-1801
www.sales@dahlvalve.com www.dahlvalve.com

We reserve the right to alter prices and/or technical details without notice