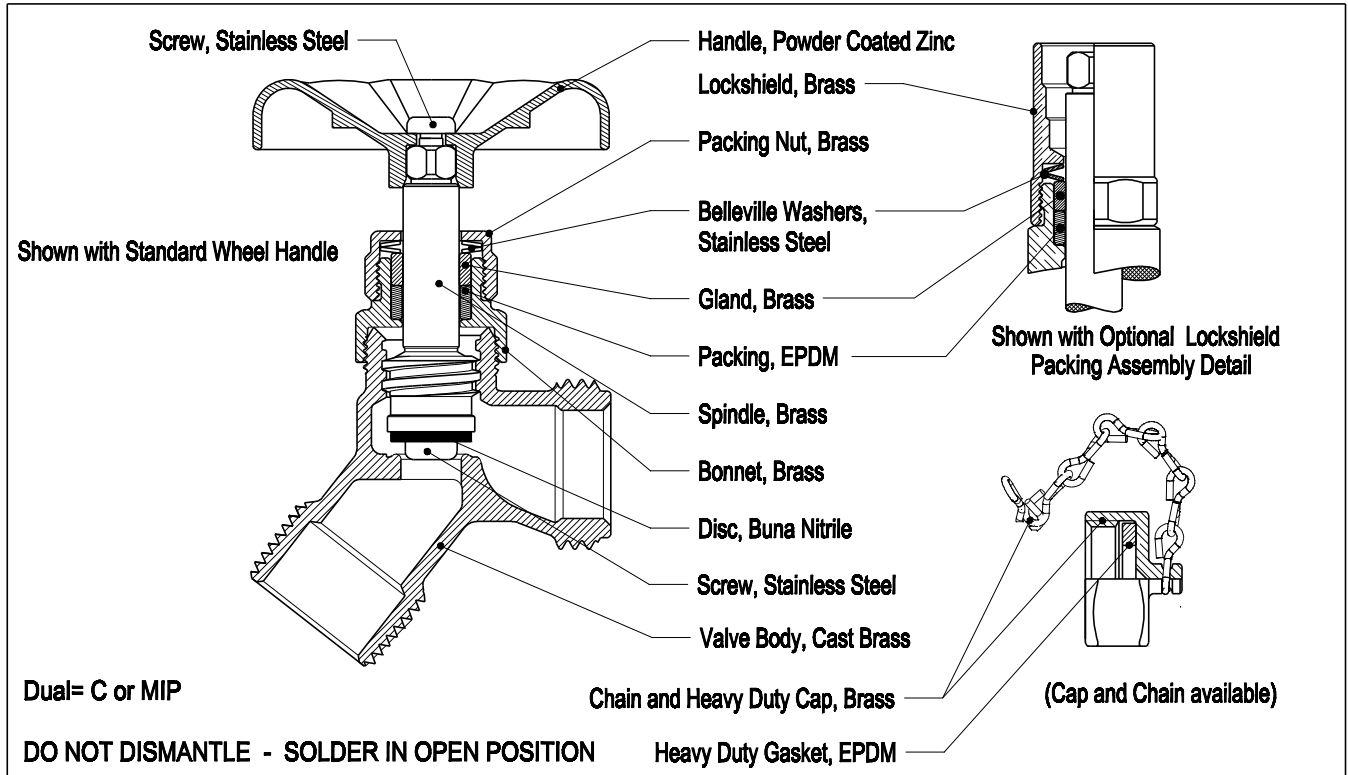


# dahl-ECO #E2316 Sediment Faucet

TDS - 1010-LF  
Rev Dec/14

Lead-Free Compliant - Plumbing



Dual= C or MIP

DO NOT DISMANTLE - SOLDER IN OPEN POSITION

- ONE SIZE FITS 1/2", 5/8", 3/4" HOSE
- Replaceable disc
- Self-adjusting, spring-loaded packing system

- Working pressure/temperature: 200 psi / 250°F
- Low friction packing
- Designed and manufactured in Canada

	Size (Inlet x Outlet)	Part Number
E2316	1/2 Dual x HOSE L/CAP & CHAIN	E231640
	1/2 Dual x HOSE W/CAP & CHAIN	E2316401
	3/4M x HOSE L/CAP & CHAIN	E231661
	3/4M x HOSE W/CAP & CHAIN	E2316611

	Size (Inlet x Outlet)	Part Number
E2316-LS	1/2 Dual x HOSE L/CAP & CHAIN	E2316409901
	1/2 Dual x HOSE W/CAP & CHAIN	On Request
	3/4M x HOSE L/CAP & CHAIN	E2316619901
	3/4M x HOSE W/CAP & CHAIN	On Request

Working Pressure: 200 psi / 250°F  
depending on pipe material.



Designed and Manufactured in  
Canada



**dahl brothers canada limited**

2600 S. SHERIDAN WAY, MISSISSAUGA, ON, CANADA L5J 2M4  
905-822-2330 CAN 800-268-5355 U.S. 800-268-2363  
FAX(905) 855-1450, USA AND CANADA 800-226-1801  
[sales@dahlvalve.com](mailto:sales@dahlvalve.com) [www.dahlvalve.com](http://www.dahlvalve.com)