

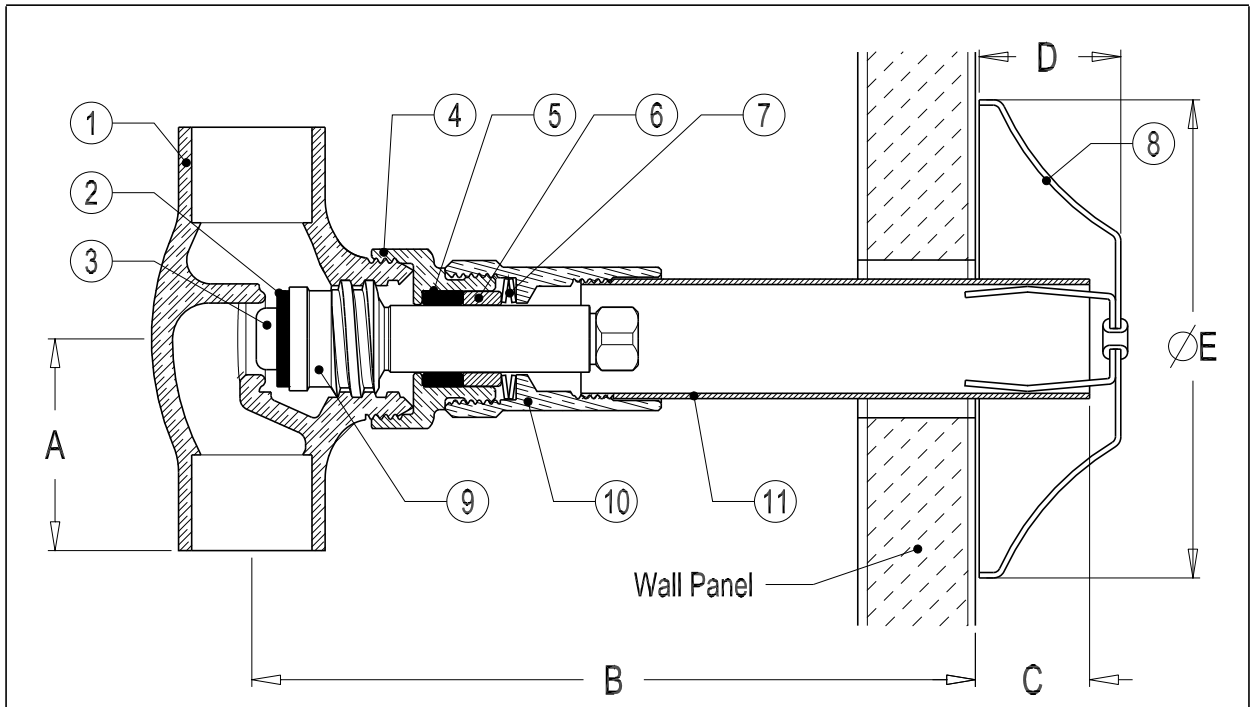
dahl-ECO #E2310

TDS-1011-LF

Rev Mar/15

Partition Stop

Lead-Free Compliant - Plumbing



Size (Inlet x Outlet)	Part Number	A	B	*C	D	E
1/2 C x 1/2 C, Lead-Free, Less Plate	E2310442008	1-1/8"	2-1/2" to 5-3/8"	3/8" to 5/8"		
3/4 C x 3/4 C, Lead-Free, Less Plate	E2310662008	1-1/2"	2-5/8" to 5-5/8"			
Partition Stop Plate (Sold Separately)	9921				.8"	2-1/2"

- | | |
|----------------------------|---|
| 1. Valve Body - Cast Brass | 7. Belleville Washers - Stainless Steel |
| 2. Disc - Buna Nitrile | 8. Partition Plate - Stainless Steel
(Sold Separately as Part #9921) |
| 3. Screw - Stainless Steel | 9. Spindle - Brass |
| 4. Bonnet - Brass | 10. Lockshield - Brass |
| 5. Packing - EPDM | 11. Partition Stop Tube - Copper
*Cut to Suit |
| 6. Gland - Brass | |

Working Pressure: 200 psi / 250°F
depending on pipe material.



Designed and Manufactured in
Canada



dahl brothers canada limited

2600 S. SHERIDAN WAY, MISSISSAUGA, ON, CANADA L5J 2M4
905-822-2330 CAN 800-268-5355 U.S. 800-268-2363
FAX(905) 855-1450, USA AND CANADA 800-226-1801
sales@dahlvalve.com www.dahlvalve.com

We reserve the right to alter prices and/or technical details without notice