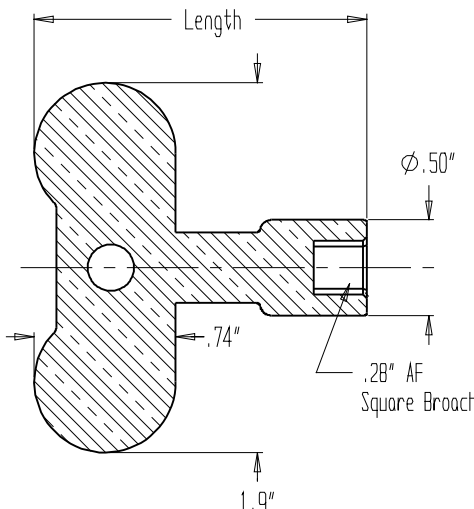
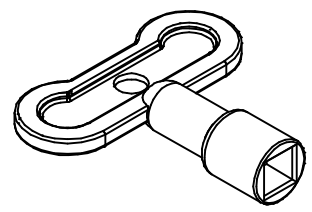
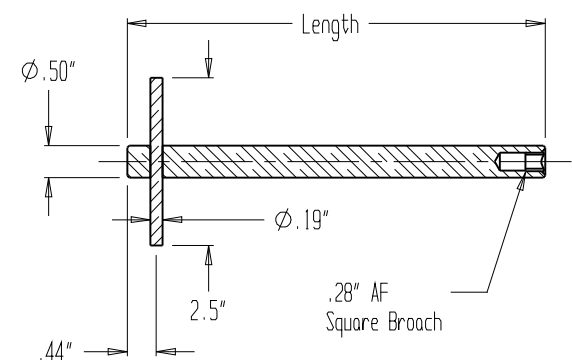
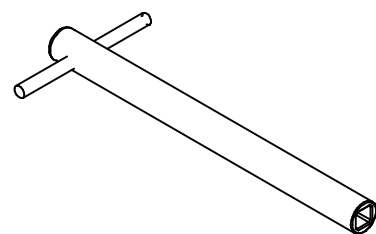


# Dahl Keys

Plumbing, Heating, Cooling, etc

<p style="text-align: center;"><b>Diecast Loose / Lock Shield Key</b></p>  	<p style="text-align: center;"><b>Brass Partition Stop Key</b> Designed and Manufactured in Canada Standard 6" Length Shown</p>  																
		<table border="1" style="margin-left: auto; margin-right: auto; border-collapse: collapse;"> <thead> <tr> <th style="width: 33%;">Description</th> <th style="width: 33%;">Part No.</th> <th style="width: 34%;">Length</th> </tr> </thead> <tbody> <tr> <td>6" Partition Stop Key</td> <td>9951</td> <td>6.25"</td> </tr> <tr> <td>9" Partition Stop Key</td> <td>109130</td> <td>9"</td> </tr> <tr> <td>12" Partition Stop Key</td> <td>109140</td> <td>12"</td> </tr> <tr> <td>18" Partition Stop Key</td> <td>9956</td> <td>18"</td> </tr> </tbody> </table>	Description	Part No.	Length	6" Partition Stop Key	9951	6.25"	9" Partition Stop Key	109130	9"	12" Partition Stop Key	109140	12"	18" Partition Stop Key	9956	18"
Description	Part No.	Length															
6" Partition Stop Key	9951	6.25"															
9" Partition Stop Key	109130	9"															
12" Partition Stop Key	109140	12"															
18" Partition Stop Key	9956	18"															
<table border="1" style="width: 100%; border-collapse: collapse;"> <thead> <tr> <th style="width: 33%;">Description</th> <th style="width: 33%;">Part No.</th> <th style="width: 34%;">Length</th> </tr> </thead> <tbody> <tr> <td>Loose / Lockshield Key</td> <td>9941</td> <td>1.74"</td> </tr> </tbody> </table>	Description	Part No.	Length	Loose / Lockshield Key	9941	1.74"											
Description	Part No.	Length															
Loose / Lockshield Key	9941	1.74"															



**dahl brothers canada limited**

2600 S. SHERIDAN WAY, MISSISSAUGA, ON, CANADA L5J 2M4  
 905-822-2330 CAN 800-268-5355 U.S. 800-268-2363  
 FAX(905) 855-1450, USA AND CANADA 800-226-1801  
[www.sales@dahlvalve.com](http://www.sales@dahlvalve.com) [www.dahlvalve.com](http://www.dahlvalve.com)

We reserve the right to alter prices and/or technical details without notice