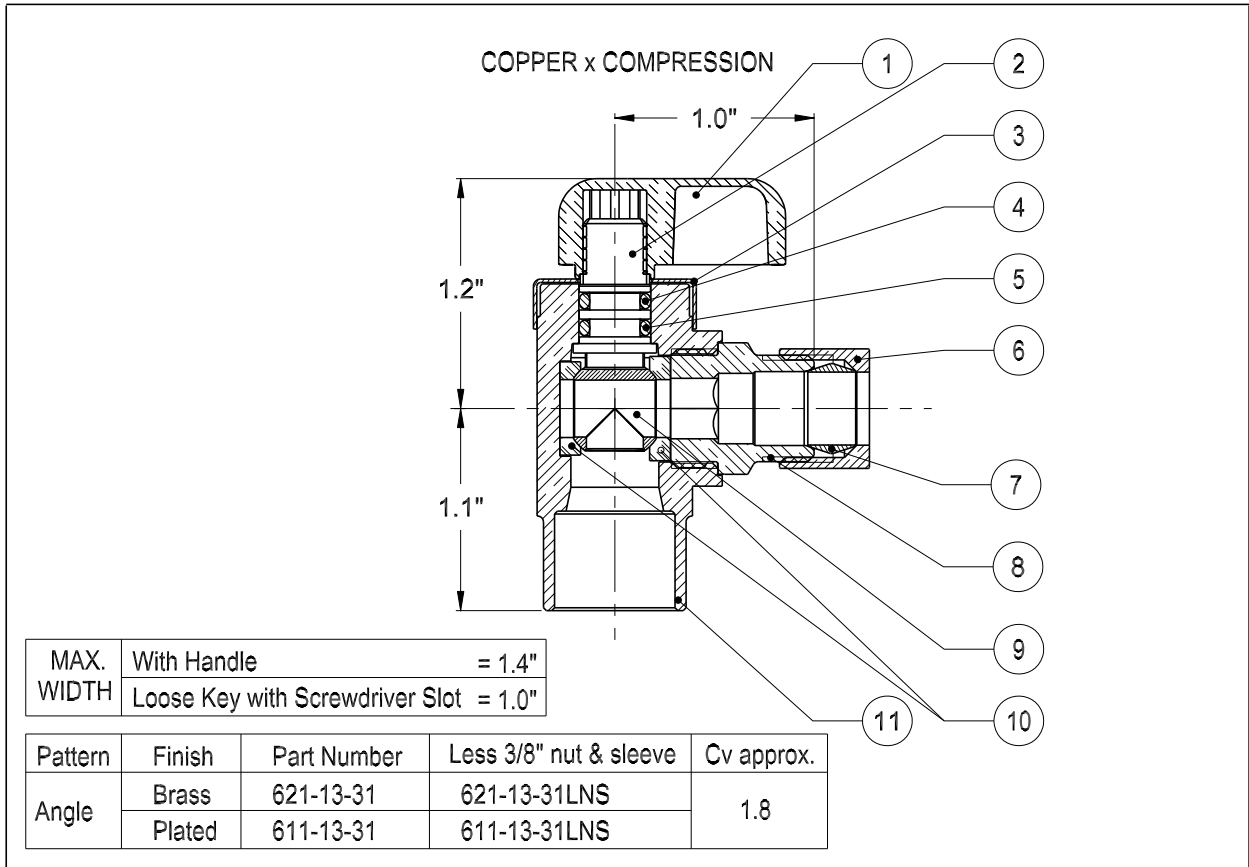


# dahl-ECO mini-ball™ Valve

Lead-Free Compliant - Plumbing

TDS - 26-LF  
New Nov/14



Text Below Represents Brass Finish

- |                                     |  |
|-------------------------------------|--|
| 1. Handle - Nickel Plated Zinc      | 7. Tapered Sleeve - Brass                                |
| 2. Spindle - Nickel Plated Brass    | 8. End - 3/8 OD Compression - Brass                      |
| 3. Handle Stop Cap - Brass          | 9. Ball - Plated Brass                                   |
| 4. O-ring - EPDM                    | 10. Seals - PTFE   |
| 5. O-ring - Fluorocarbon (FKM)      | 11. Body - with Integrated 1/2 Female Solder End - Brass |
| 6. Nut - 3/8 OD Compression - Brass |  |

Working Pressure: 250 psi / 250°F  
depending on pipe material.

 UPC  
NSF / ANSI 61-G  
NSF / ANSI 372

Designed and Manufactured in  
Canada

DO NOT DISMANTLE - SOLDER IN OPEN POSITION  
Also available: Loose Key with Screwdriver Slot operation



dahl brothers canada limited

2600 S. SHERIDAN WAY, MISSISSAUGA, ON, CANADA L5J 2M4  
905-822-2330 CAN 800-268-5355 U.S. 800-268-2363  
FAX(905) 855-1450, USA AND CANADA 800-226-1801  
[sales@dahlvalve.com](mailto:sales@dahlvalve.com) [www.dahlvalve.com](http://www.dahlvalve.com)