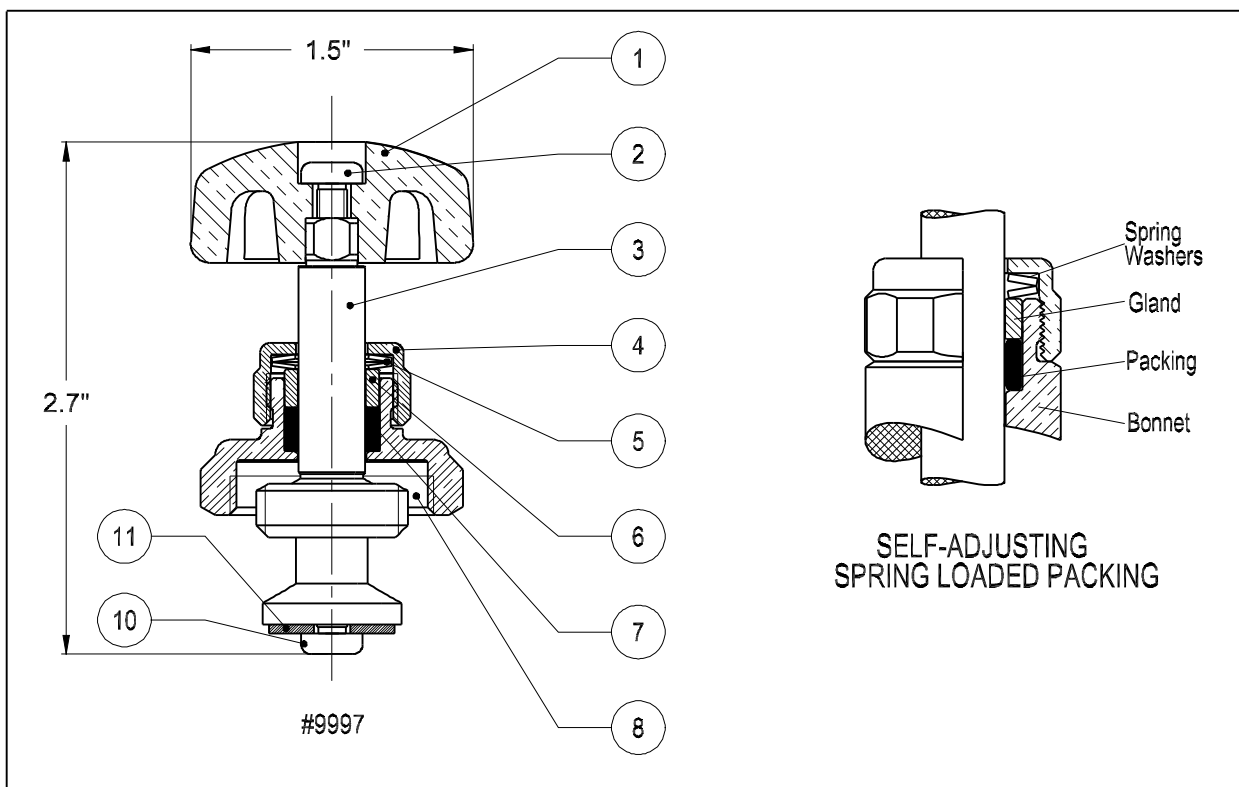


Assy w/ Red Handle for 11020 3/4"

For Forced Water Heating or Cooling Systems



- | | |
|---------------------------------------|------------------------------|
| 1. Red Plastic Handle | 7. Low Friction EPDM Packing |
| 2. Stainless Steel Screw | 8. Brass Bonnet |
| 3. Brass Spindle | 9. Brass Body |
| 4. Brass Packing Nut | 10. Stainless Steel Screw |
| 5. Stainless Steel Spring Washers (2) | 11. Nitrile Butyl Disc |
| 6. Brass Packing Gland | |

Working Pressure: 250 psi / 250°F
depending on pipe material.

Designed and Manufactured in
Canada



dahl brothers canada limited

2600 STH. SHERIDAN WAY, MISSISSAUGA, ON, CANADA L5J 2M4
905-822-2330 CAN 800-268-5355 U.S. 800-268-2363
FAX(905) 855-1450, USA AND CANADA 800-226-1801

We reserve the right to alter prices and/or technical details without notice