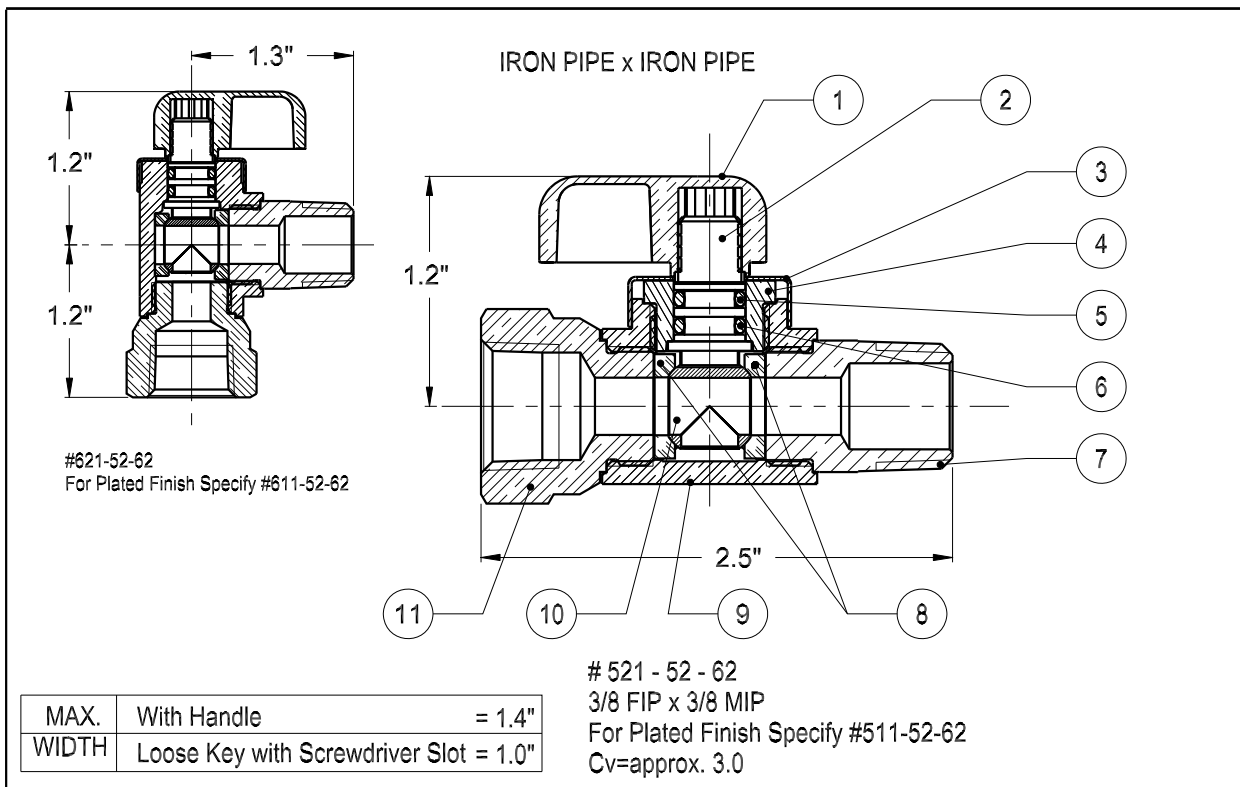


# dahl-ECO mini-ball™ Valve

Lead-Free Compliant - Plumbing

TDS - 285-LF  
New Feb/16



Description below is for part # 521-52-62

- |                                  |                           |
|----------------------------------|---------------------------|
| 1. Handle - Nickel Plated Zinc   | 7. End - 3/8 MIP - Brass  |
| 2. Spindle - Nickel Plated Brass | 8. Seals - PTFE           |
| 3. Stop Cap - Brass              | 9. Body - Brass           |
| 4. Spindle Bushing - Brass       | 10. Ball - Plated Brass   |
| 5. O-Ring - EPDM                 | 11. End - 3/8 FIP - Brass |
| 6. O-Ring - Fluorocarbon (FKM)   |                           |

Working Pressure: 250 psi / 250°F  
depending on pipe material.

 , UPC®  
NSF / ANSI 61-G  
NSF / ANSI 372

Designed and Manufactured in  
Canada

Also available: Loose Key with Screwdriver Slot operation



## dahl brothers canada limited

2600 S. SHERIDAN WAY, MISSISSAUGA, ON, CANADA L5J 2M4  
905-822-2330 CAN 800-268-5355 U.S. 800-268-2363  
FAX(905) 855-1450, USA AND CANADA 800-226-1801  
[sales@dahlvalve.com](mailto:sales@dahlvalve.com) [www.dahlvalve.com](http://www.dahlvalve.com)

We reserve the right to alter prices and/or technical details without notice