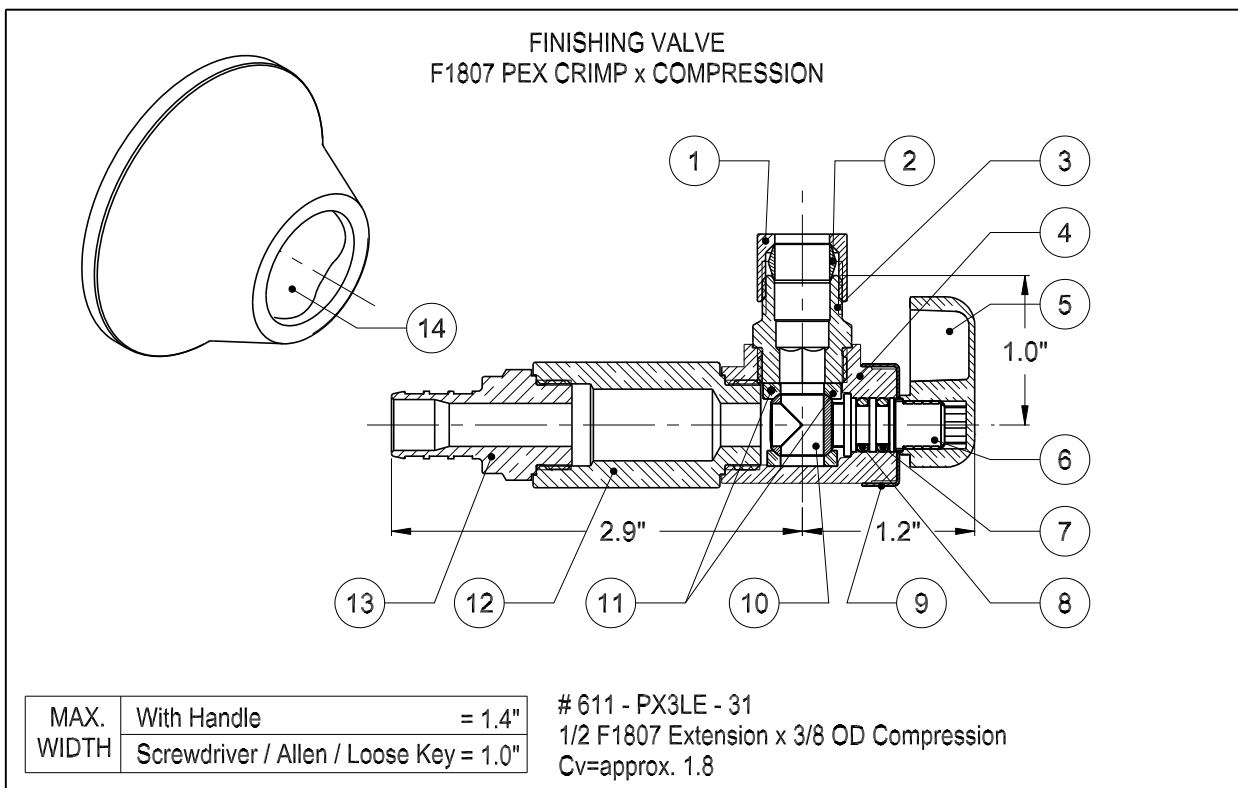


# dahl-ECO mini-ball™ Valve

Plumbing



- |   |   |
|---|---|
| 1. Chrome Plated 3/8 OD Compression Nut<br>2. Brass Tapered Sleeve<br>3. C693 Nickel Plated Brass 3/8 OD Compression End<br>4. C693 Chrome Plated Brass Body<br>5. Nickel Plated Zinc Handle<br>6. C693 Nickel Plated Brass Spindle<br>7. EPDM O-ring | 8. Fluorocarbon (FKM) O-ring<br>9. Nickel Plated Handle Stop Cap (Brass)<br>10. C693 Plated Brass Ball<br>11. PTFE Seals<br>12. C693 Chrome Plated Brass Extension<br>13. C693 Nickel Plated 1/2 F1807 PEX Crimp End<br>14. Plated Deep Bell Escutcheon |
|---|---|

Working Pressure: 250 psi / 250°F  
depending on pipe material.

, UPC  
 NSF / ANSI 61-G

Designed and Manufactured in  
Canada

Wetted surface area contains <0.1wt% weighted average lead.

Also available with Screwdriver, Allen or Loose Key operation



## dahl brothers canada limited

2600 S. SHERIDAN WAY, MISSISSAUGA, ON, CANADA L5J 2M4  
 905-822-2330      CAN 800-268-5355      U.S. 800-268-2363  
 FAX(905) 855-1450, USA AND CANADA 800-226-1801  
[sales@dahlvalve.com](mailto:sales@dahlvalve.com)      [www.dahlvalve.com](http://www.dahlvalve.com)

We reserve the right to alter prices and/or technical details without notice