

# Dahl mini-ball™ Valve Supply Kit

## 12" Toilet/Closet Supply Kit with Angle Stop 1/2 Solder Inlet

Kit #	Description / Contents	Qty.	Part #	TDS #
E13-2276	Dahl mini-ball™ Valve Angle Stop, Plated, 1/2C x 3/8 OD Comp less nut & sleeve	1	611-13-31LNS	26-LF
	12" Braided Hose, 3/8 OD Fem. Comp x 7/8" Fem. PLASTIC Ballcock Nut	1	HOSE12A	224
	5/8" OD Chrome Plated Escutcheon	1	PLATE1	222



dahl brothers canada limited

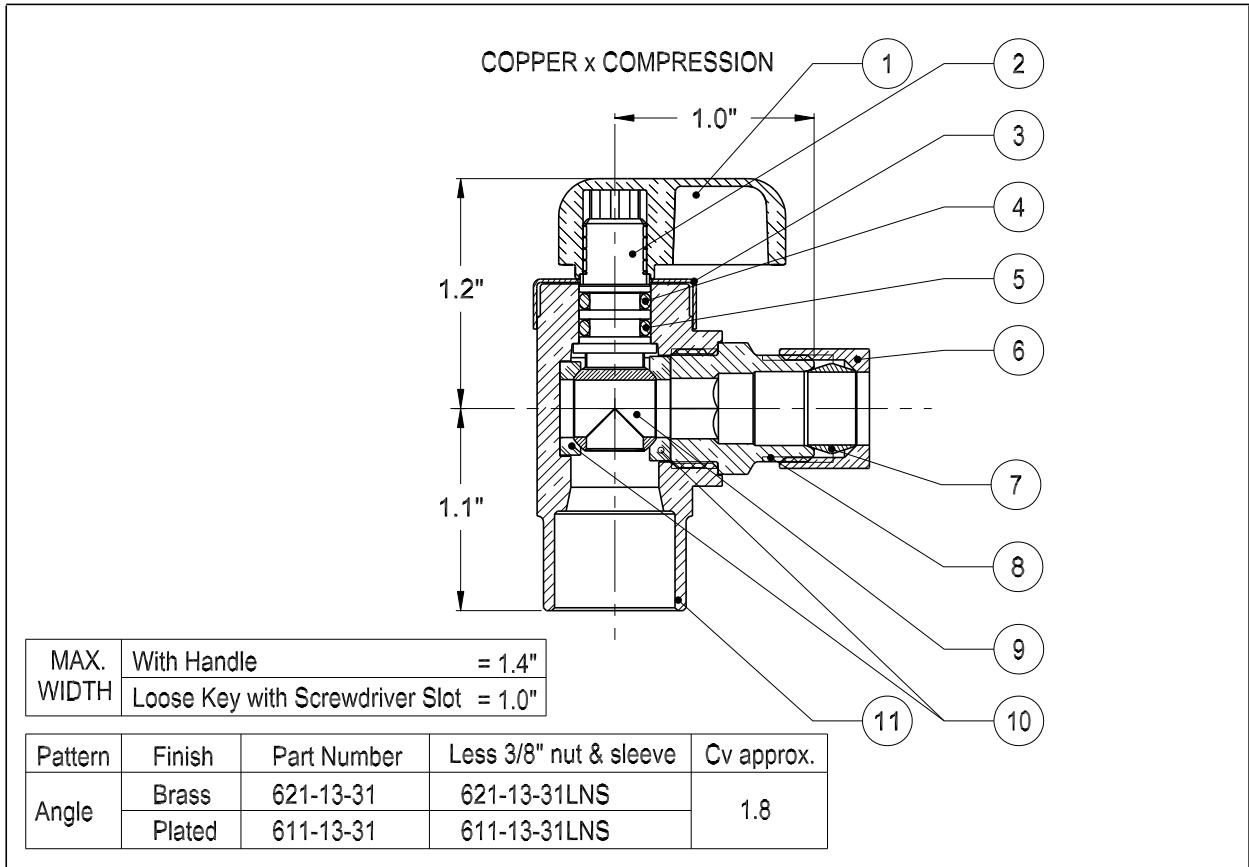
2600 S. SHERIDAN WAY, MISSISSAUGA, ON, CANADA L5J 2M4  
905-822-2330 CAN 800-268-5355 U.S. 800-268-2363  
FAX(905) 855-1450, USA AND CANADA 800-226-1801

We reserve the right to alter prices and/or technical details without notice

# dahl-ECO mini-ball™ Valve

Lead-Free Compliant - Plumbing

TDS - 26-LF  
New Nov/14



Text Below Represents Brass Finish

- |                                     |  |
|-------------------------------------|--|
| 1. Handle - Nickel Plated Zinc      | 7. Tapered Sleeve - Brass                                |
| 2. Spindle - Nickel Plated Brass    | 8. End - 3/8 OD Compression - Brass                      |
| 3. Handle Stop Cap - Brass          | 9. Ball - Plated Brass                                   |
| 4. O-ring - EPDM                    | 10. Seals - PTFE   |
| 5. O-ring - Fluorocarbon (FKM)      | 11. Body - with Integrated 1/2 Female Solder End - Brass |
| 6. Nut - 3/8 OD Compression - Brass |  |

Working Pressure: 250 psi / 250°F  
depending on pipe material.

 UPC  
NSF / ANSI 61-G  
NSF / ANSI 372

Designed and Manufactured in  
Canada

DO NOT DISMANTLE - SOLDER IN OPEN POSITION  
Also available: Loose Key with Screwdriver Slot operation



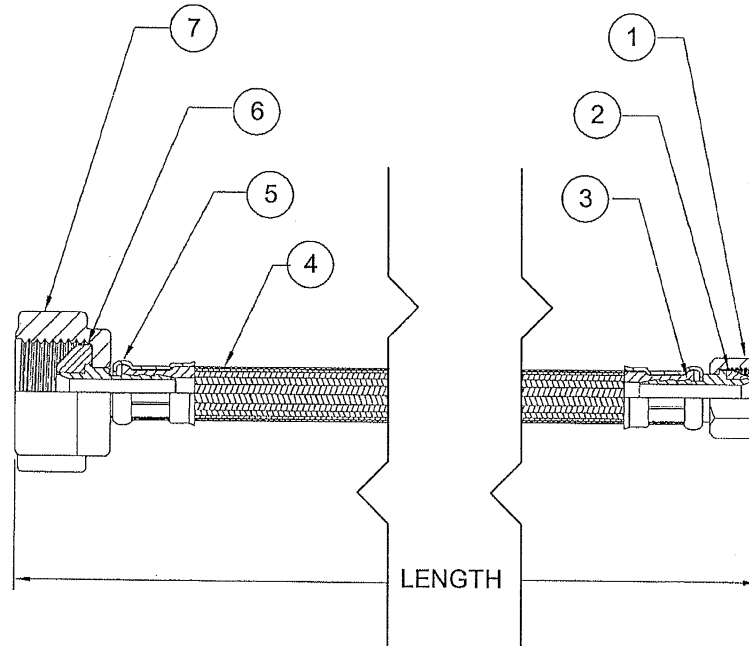
dahl brothers canada limited

2600 S. SHERIDAN WAY, MISSISSAUGA, ON, CANADA L5J 2M4  
905-822-2330 CAN 800-268-5355 U.S. 800-268-2363  
FAX(905) 855-1450, USA AND CANADA 800-226-1801  
[sales@dahlvalve.com](mailto:sales@dahlvalve.com) [www.dahlvalve.com](http://www.dahlvalve.com)

# Stainless Steel Braided Hose Assembly

Manufactured by Watts Canada.

3/8" OD FEMALE COMPRESSION X 7/8" FEMALE BALLCOCK PLASTIC NUT



Length	Dahl Part Number
9"	HOSE9A
12"	HOSE12A

- |    |   |    |                         |
|----|---|----|-------------------------|
| 1. | 3/8" Nickel Plated Brass<br>Compression Nut | 5. | Stainless Steel Ferrule |
| 2. | Rubber Washer                               | 6. | Rubber Washer           |
| 3. | Brass Barb                                  | 7. | Plastic Ballcock Nut    |
| 4. | Stainless Steel Braided Hose                |    |                         |

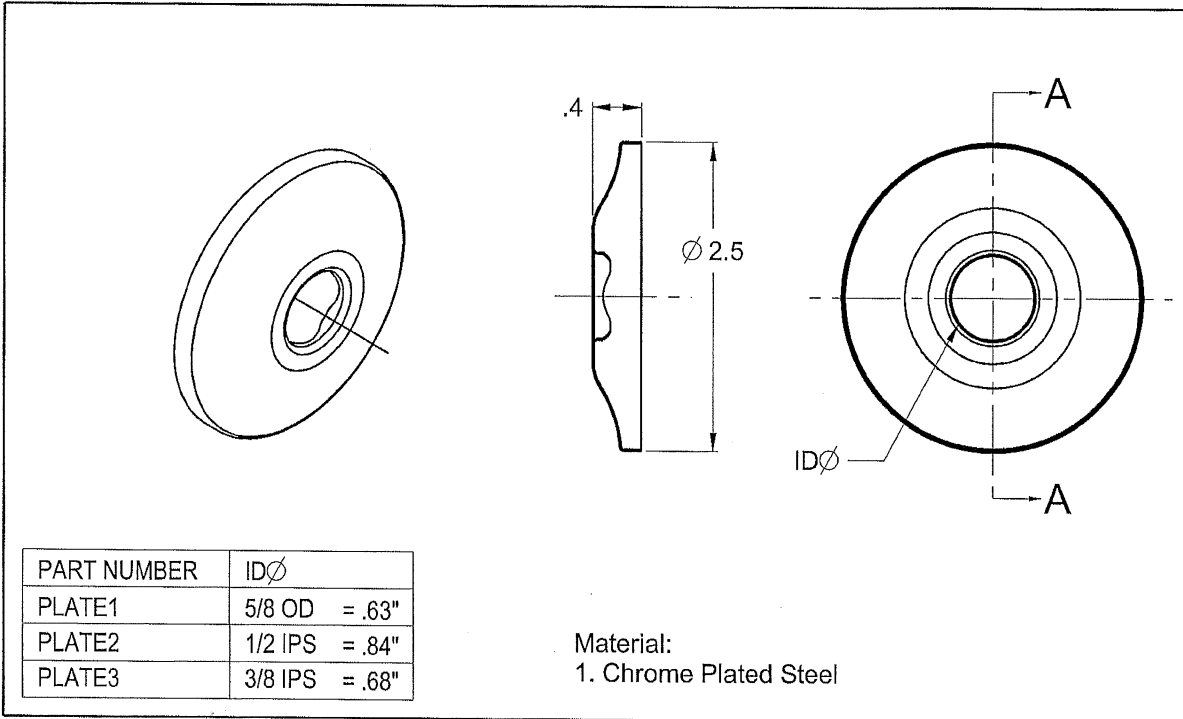


dahl brothers canada limited

2600 S. SHERIDAN WAY, MISSISSAUGA, ON, CANADA L5J 2M4  
905-822-2330 CAN 800-268-5355 U.S. 800-268-2363  
FAX(905) 855-1450, USA AND CANADA 800-226-1801

We reserve the right to alter prices and/or technical details without notice

# Escutcheon



dahl brothers canada limited

2600 S. SHERIDAN WAY, MISSISSAUGA, ON, CANADA L5J 2M4  
905-822-2330 CAN 800-268-5355 U.S. 800-268-2363  
FAX(905) 855-1450, USA AND CANADA 800-226-1801

We reserve the right to alter prices and/or technical details without notice