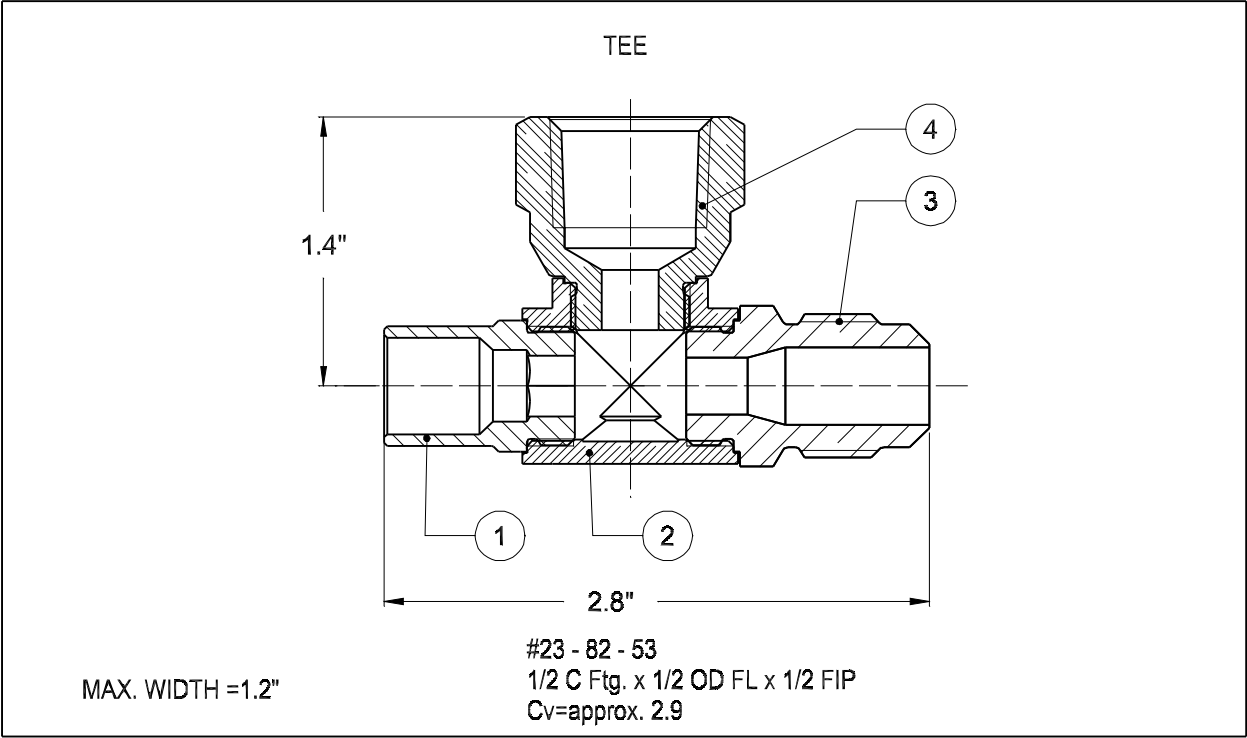


Dahl mini-ball™ Tee

Plumbing, Heating, Cooling, etc



- 1. Brass 1/2 Copper Ftg. End
- 2. Chrome Plated Brass Body

- 3. Brass 1/2 OD FL End
- 4. Brass 1/2 FIP End

Working Pressure: 250 psi / 250°F
depending on pipe material.

NSF / ANSI 61

Designed and Manufactured in
Canada



dahl brothers canada limited

2600 S. SHERIDAN WAY, MISSISSAUGA, ON, CANADA L5J 2M4
905-822-2330 CAN 800-268-5355 U.S. 800-268-2363
FAX(905) 855-1450, USA AND CANADA 800-226-1801

We reserve the right to alter prices and/or technical details without notice