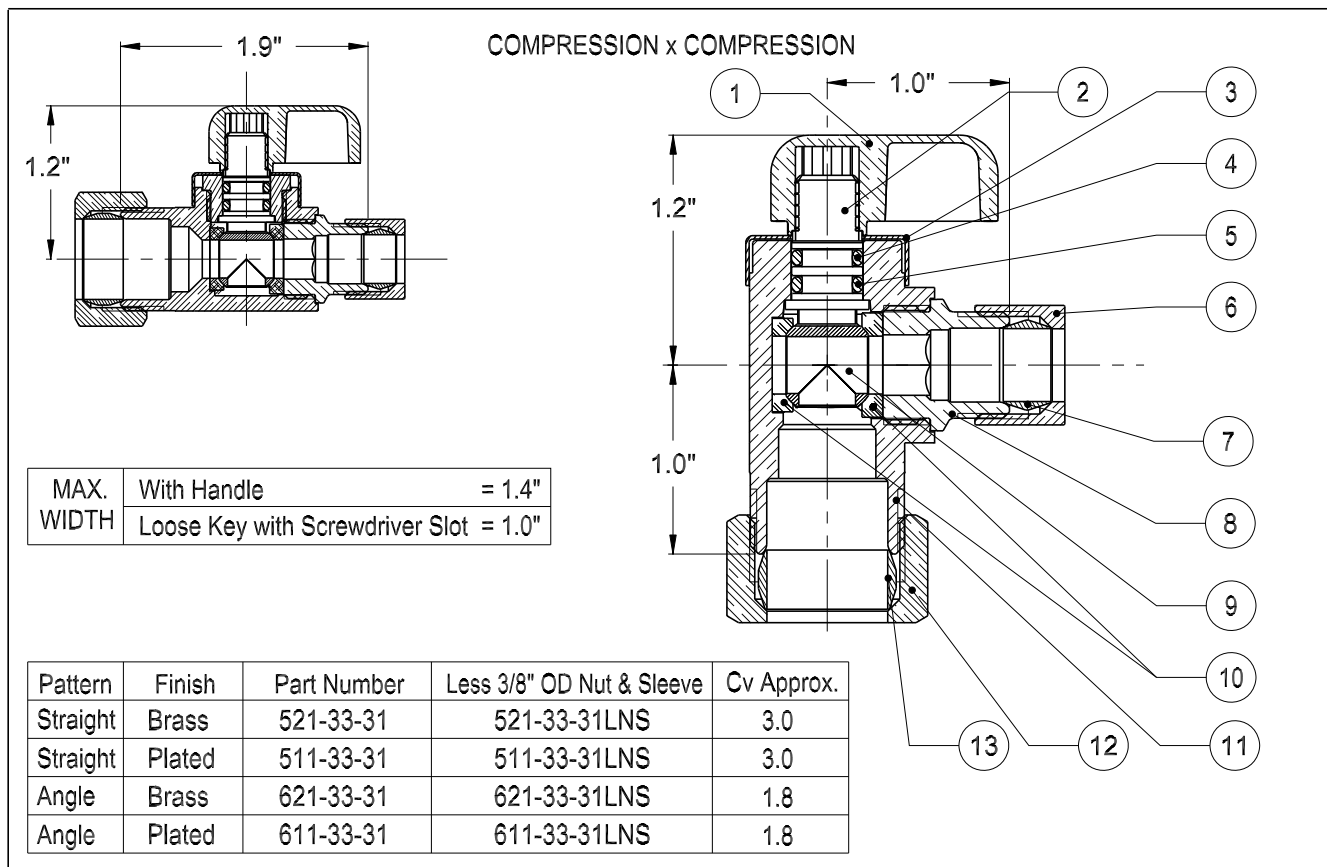


# dahl-ECO mini-ball™ Valve

Lead-Free Compliant - Plumbing



Description below is for Part# 611-33-31

- |  |   |
|--|---|
| 1. Handle - Nickel Plated Zinc             | 8. End - 3/8 OD Compression - Nickel Plated Brass                     |
| 2. Spindle - Nickel Plated Brass           | 9. Ball - Plated Brass  |
| 3. Stop Cap - Nickel Plated Brass          | 10. Seals - PTFE  |
| 4. O-Ring - EPDM                           | 11. Body with Integral End - 5/8 OD Compression - Chrome Plated Brass |
| 5. O-Ring - Fluorocarbon (FKM)             | 12. Nut - 5/8 OD Compression - Plated Brass                           |
| 6. Nut - 3/8 OD Compression - Plated Brass | 13. Tapered Sleeve - Brass  |
| 7. Tapered Sleeve - Brass                  |   |

Working Pressure: 250 psi / 250°F  
depending on pipe material.

 , UPC  
NSF / ANSI 61-G  
NSF / ANSI 372

Designed and Manufactured in  
Canada

Also available: Loose Key with Screwdriver Slot operation



dahl brothers canada limited

2600 S. SHERIDAN WAY, MISSISSAUGA, ON, CANADA L5J 2M4  
905-822-2330 CAN 800-268-5355 U.S. 800-268-2363  
FAX(905) 855-1450, USA AND CANADA 800-226-1801  
[sales@dahlvalve.com](mailto:sales@dahlvalve.com) [www.dahlvalve.com](http://www.dahlvalve.com)

We reserve the right to alter prices and/or technical details without notice