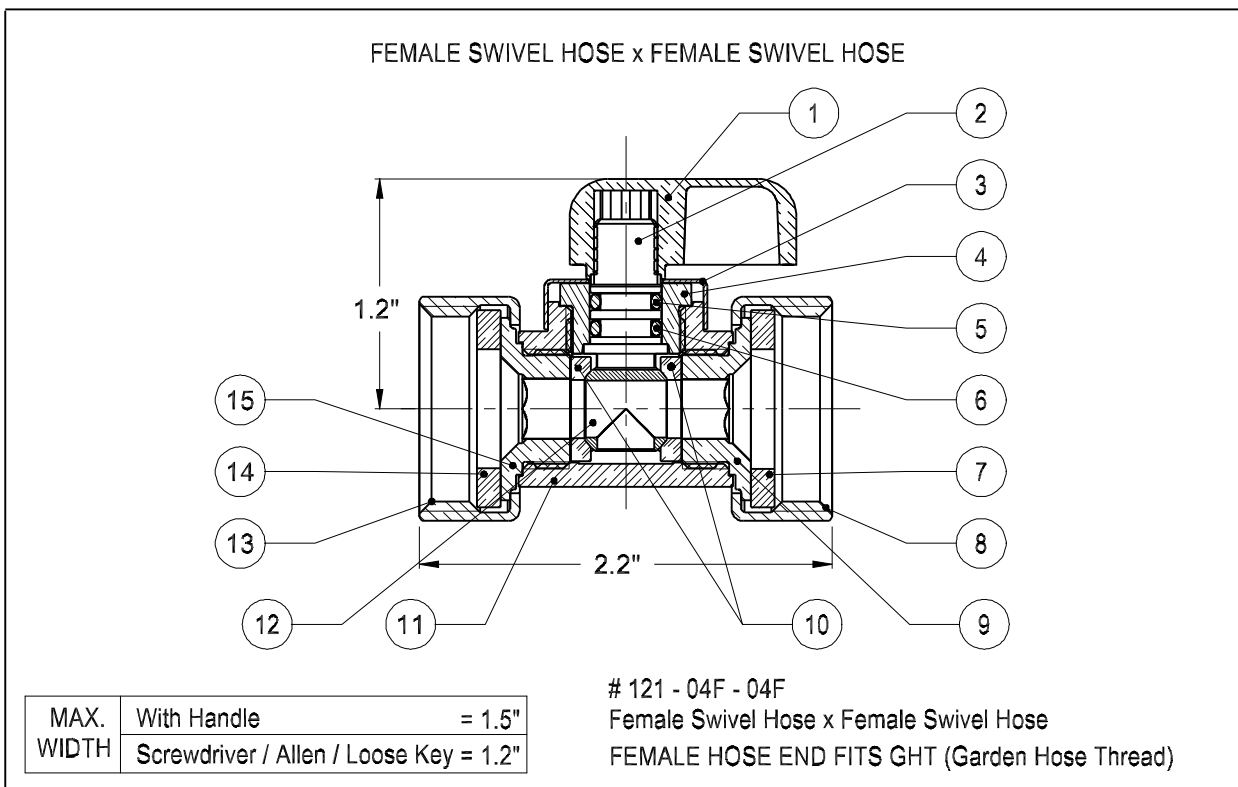


# Dahl mini-ball™ Valve

Plumbing



- |  |   |
|--|---|
| <ul style="list-style-type: none"> <li>1. Nickel Plated Zinc Handle</li> <li>2. Nickel Plated C360 Brass Spindle</li> <li>3. Handle Stop Cap (Brass)</li> <li>4. C360 Brass Spindle Bushing</li> <li>5. EPDM O-ring</li> <li>6. Viton* O-ring</li> <li>7. EPDM Gasket</li> <li>8. Brass Hose Coupling</li> </ul> | <ul style="list-style-type: none"> <li>9. C360 Brass Female Hose Swivel End</li> <li>10. Teflon* Seals</li> <li>11. C360 Brass Body</li> <li>12. Plated C360 Brass Ball</li> <li>13. Brass Hose Coupling</li> <li>14. EPDM Gasket</li> <li>15. C360 Brass Female Hose Swivel End</li> </ul> |
|--|---|

Working Pressure: 250 psi / 250°F  
depending on pipe material.

UPC.  
NSF / ANSI 61  
ASME A112.18.1

Designed and Manufactured in  
Canada

Also available with Screwdriver, Allen or Loose Key operation



## dahl brothers canada limited

2600 S. SHERIDAN WAY, MISSISSAUGA, ON, CANADA L5J 2M4  
905-822-2330 CAN 800-268-5355 U.S. 800-268-2363  
FAX(905) 855-1450, USA AND CANADA 800-226-1801  
[www.sales@dahlvalve.com](http://www.sales@dahlvalve.com) [www.dahlvalve.com](http://www.dahlvalve.com)

\* Registered Trademark of E.I. DuPont Nemours.

We reserve the right to alter prices and/or technical details without notice