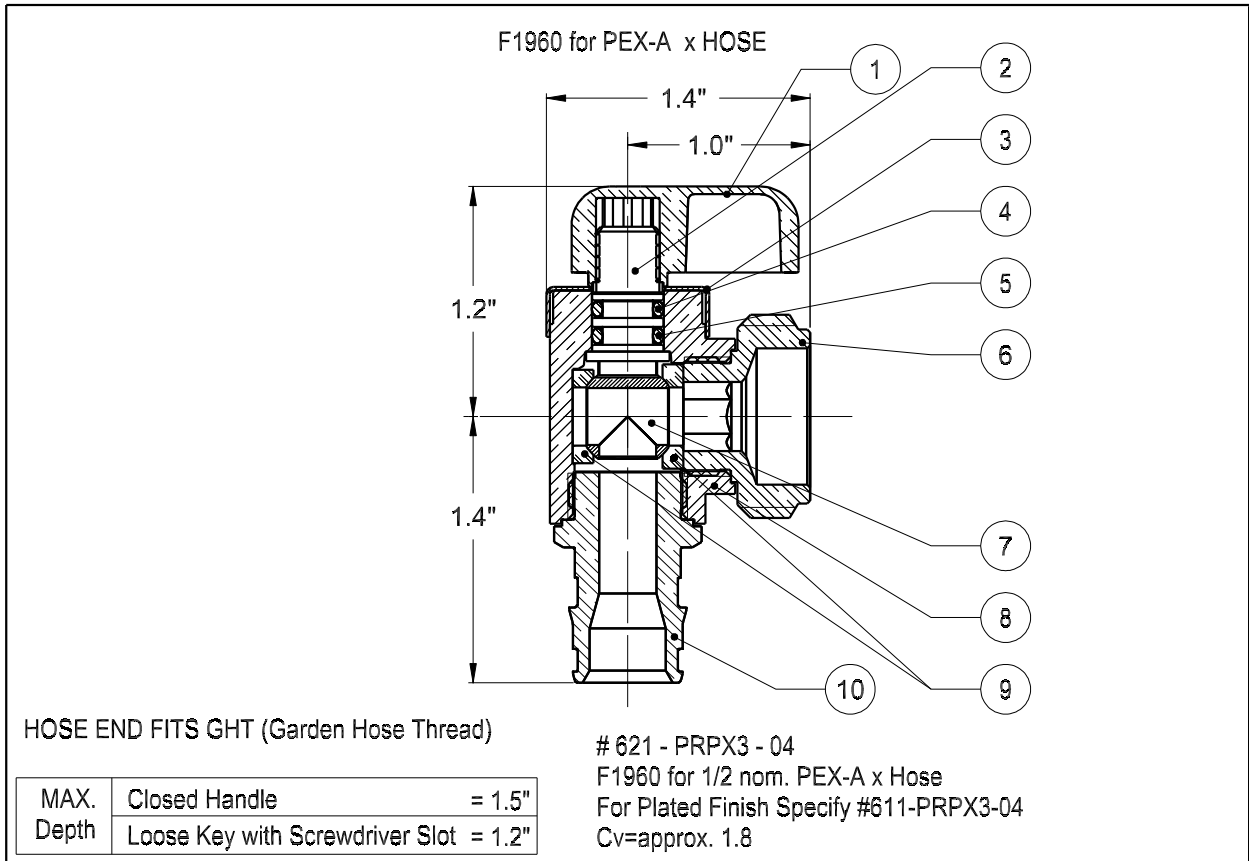


# dahl mini-ball™ Valve

Lead-Free Compliant - Plumbing, Heating, Cooling

TDS - 450-LF  
Rev Jan/21



Text Below Represents Part# 621-PRPX3-04

- |                                  |  |
|----------------------------------|--|
| 1. Handle - Nickel Plated Zinc   | 6. End - Hose - Brass                      |
| 2. Spindle - Nickel Plated Brass | 7. Ball - Plated Brass                     |
| 3. Handle Stop Cap - Brass       | 8. Body - Brass                            |
| 4. O-Ring - EPDM                 | 9. Seals - PTFE                            |
| 5. O-Ring - Fluorocarbon (FKM)   | 10. End - F1960 for 1/2 nom. PEX-A - Brass |

Working Pressure: 250 psi / 250°F  
depending on pipe material.

 , UPC®  
NSF / ANSI 61-G  
NSF / ANSI 372

Designed and Manufactured in  
Canada

Also available: Loose Key with Screwdriver Slot operation

## dahl Valve Limited

2600 S. SHERIDAN WAY, MISSISSAUGA, ON, CANADA L5J 2M4  
905-822-2330 CAN 800-268-5355 U.S. 800-268-2363  
FAX(905) 855-1450, USA AND CANADA 800-226-1801  
[sales@dahlvalve.com](mailto:sales@dahlvalve.com) [www.dahlvalve.com](http://www.dahlvalve.com)

We reserve the right to alter prices and/or technical details without notice