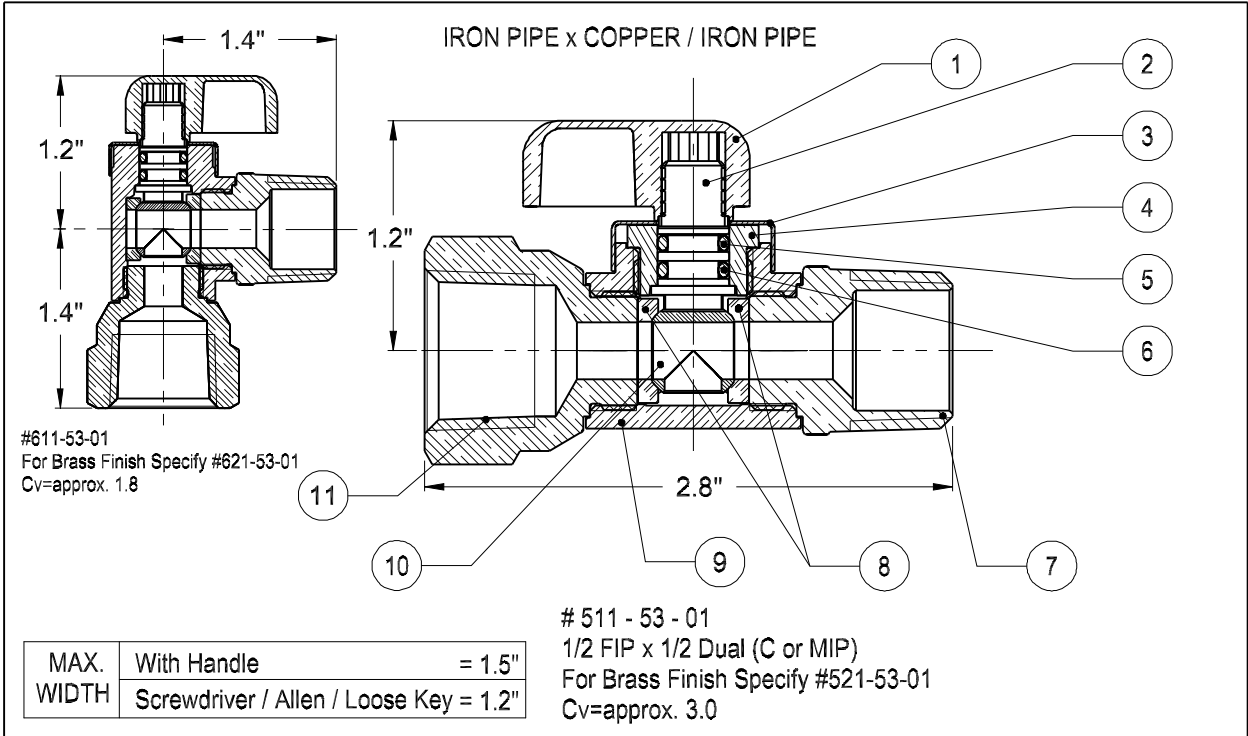


dahl-ECO mini-ball™ Valve

Plumbing, Heating, Cooling



U.S. PATENT No. 5735307

Text Below Represents Plated Configuration

- 1. Nickel Plated Zinc Handle
- 2. Nickel Plated C693 Brass Spindle
- 3. Handle Stop Cap (Nickel Plated Brass)
- 4. C693 Brass Spindle Bushing
- 5. EPDM O-ring
- 6. Viton* O-ring
- 7. Nickel Plated C693 Brass 1/2 Dual (C or MIP) End
- 8. Teflon* Seals
- 9. Chrome Plated C693 Brass Body
- 10. Plated C693 Brass Ball
- 11. Chrome Plated C693 Brass 1/2 FIP End

Working Pressure: 250 psi / 250°F
depending on pipe material.

 UPC.
NSF / ANSI 61- G

Designed and Manufactured in
Canada

Wetted surface area contains <0.1wt% weighted average lead.

DO NOT DISMANTLE - SOLDER IN OPEN POSITION
Also available with Screwdriver, Allen or Loose Key operation



dahl brothers canada limited

2600 S. SHERIDAN WAY, MISSISSAUGA, ON, CANADA L5J 2M4
905-822-2330 CAN 800-268-5355 U.S. 800-268-2363
FAX(905) 855-1450, USA AND CANADA 800-226-1801
www.sales@dahlvalve.com www.dahlvalve.com

* Registered Trademark of E.I. Dupont Nemours.

We reserve the right to alter prices and/or technical details without notice