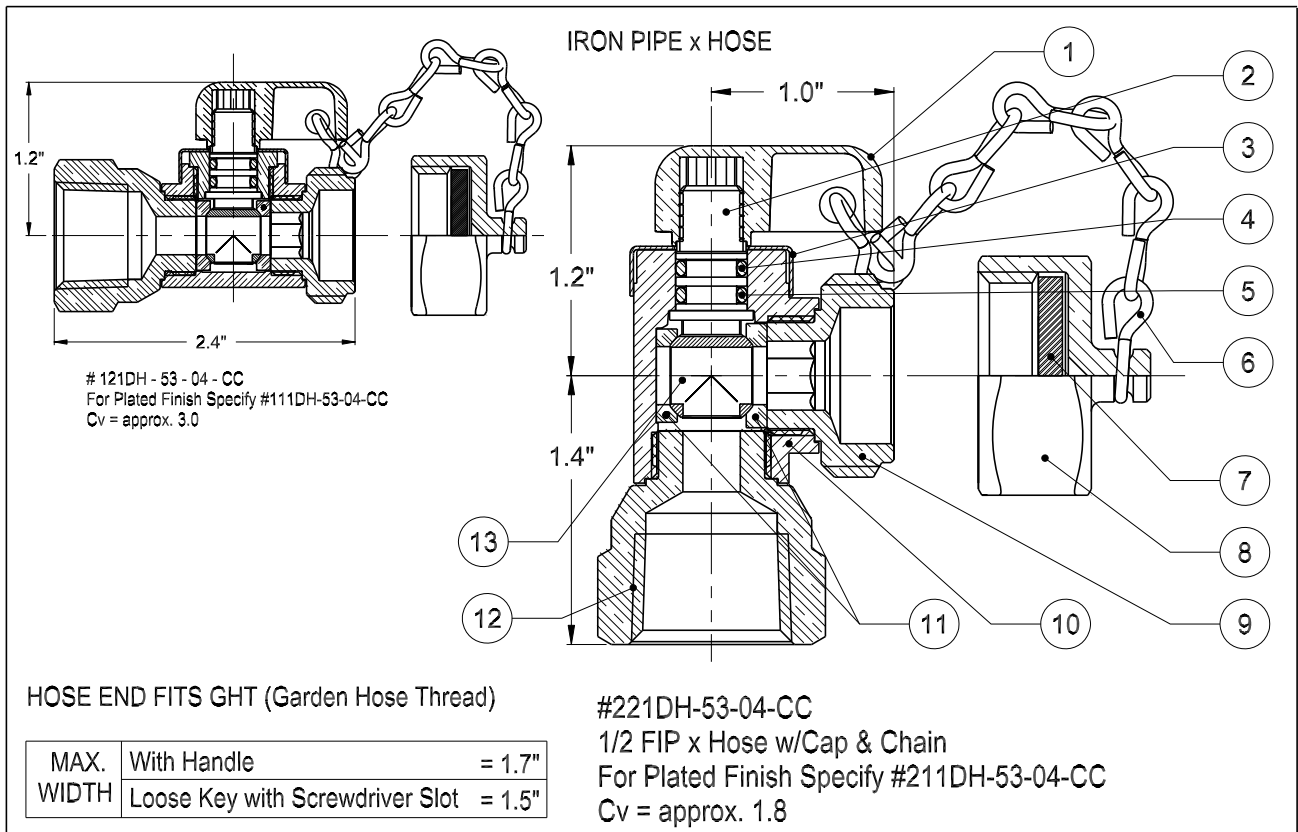


Dahl **mini-ball**™ Valve

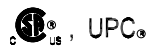
Plumbing, Heating, Cooling - NOT FOR POTABLE



Text Below Represents Rough Brass Finish

- | | |
|--|---------------------------|
| 1. Handle - w/ Drilled Ø3/16 Hole - Nickel Plated Zinc | 8. Drip Cap - Brass |
| 2. Spindle - Nickel Plated Brass | 9. End - Hose - Brass |
| 3. Handle Stop Cap - Brass | 10. Body - Brass |
| 4. O-Ring - EPDM | 11. Seals - PTFE |
| 5. O-Ring - Fluorocarbon (FKM) | 12. End - 1/2 FIP - Brass |
| 6. Chain - 6" - Brass | 13. Ball - Plated Brass |
| 7. Gasket - EPDM | |

Working Pressure: 250 psi / 250°F
depending on pipe material.



Designed and Manufactured in
Canada

Also available: Loose Key with Screwdriver Slot operation



dahl brothers canada limited

2600 S. SHERIDAN WAY, MISSISSAUGA, ON, CANADA L5J 2M4
905-822-2330 CAN 800-268-5355 U.S. 800-268-2363
FAX(905) 855-1450, USA AND CANADA 800-226-1801
sales@dahlvalve.com www.dahlvalve.com

We reserve the right to alter prices and/or technical details without notice