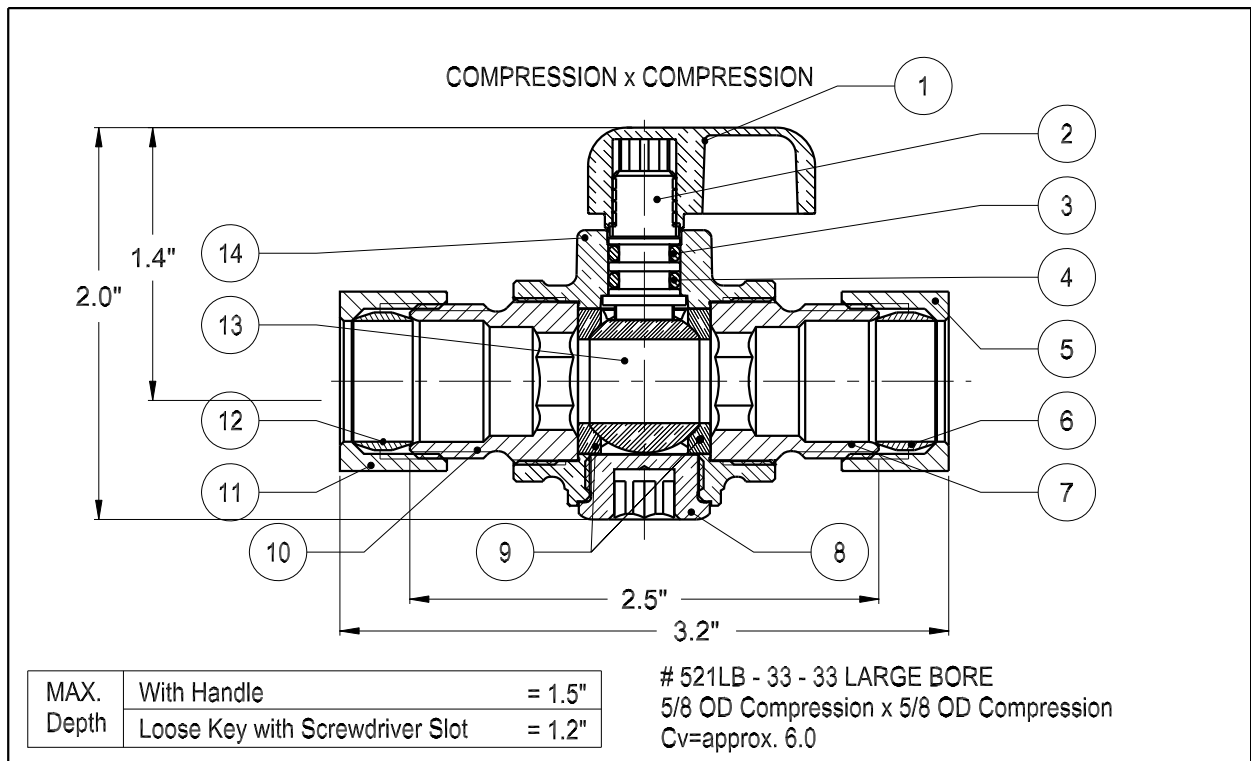


**dahl-ECO mini-ball™ Valve**  
Lead-Free Compliant - Plumbing, Heating, Cooling

TDS - 479-LF  
Rev Sept/16



- |                                     |                                      |
|-------------------------------------|--------------------------------------|
| 1. Handle - Nickel Plated Zinc      | 8. Plug - Brass                      |
| 2. Spindle - Nickel Plated Brass    | 9. Seals - PTFE                      |
| 3. O-Ring - EPDM                    | 10. End - 5/8 OD Compression - Brass |
| 4. O-Ring - Fluorocarbon (FKM)      | 11. Nut - 5/8 OD Compression - Brass |
| 5. Nut - 5/8 OD Compression - Brass | 12. Tapered Sleeve - Brass           |
| 6. Tapered Sleeve - Brass           | 13. Ball - Plated Brass              |
| 7. End - 5/8 OD Compression - Brass | 14. Body - Brass                     |

Working Pressure: 250 psi / 250°F  
depending on pipe material.

 , UPC  
NSF / ANSI 61-G  
NSF / ANSI 372

Designed and Manufactured in  
Canada

Also available: Loose Key with Screwdriver Slot operation



**dahl brothers canada limited**

2600 S. SHERIDAN WAY, MISSISSAUGA, ON, CANADA L5J 2M4  
905-822-2330 CAN 800-268-5355 U.S. 800-268-2363  
FAX(905) 855-1450, USA AND CANADA 800-226-1801  
[sales@dahlvalve.com](mailto:sales@dahlvalve.com) [www.dahlvalve.com](http://www.dahlvalve.com)

We reserve the right to alter prices and/or technical details without notice