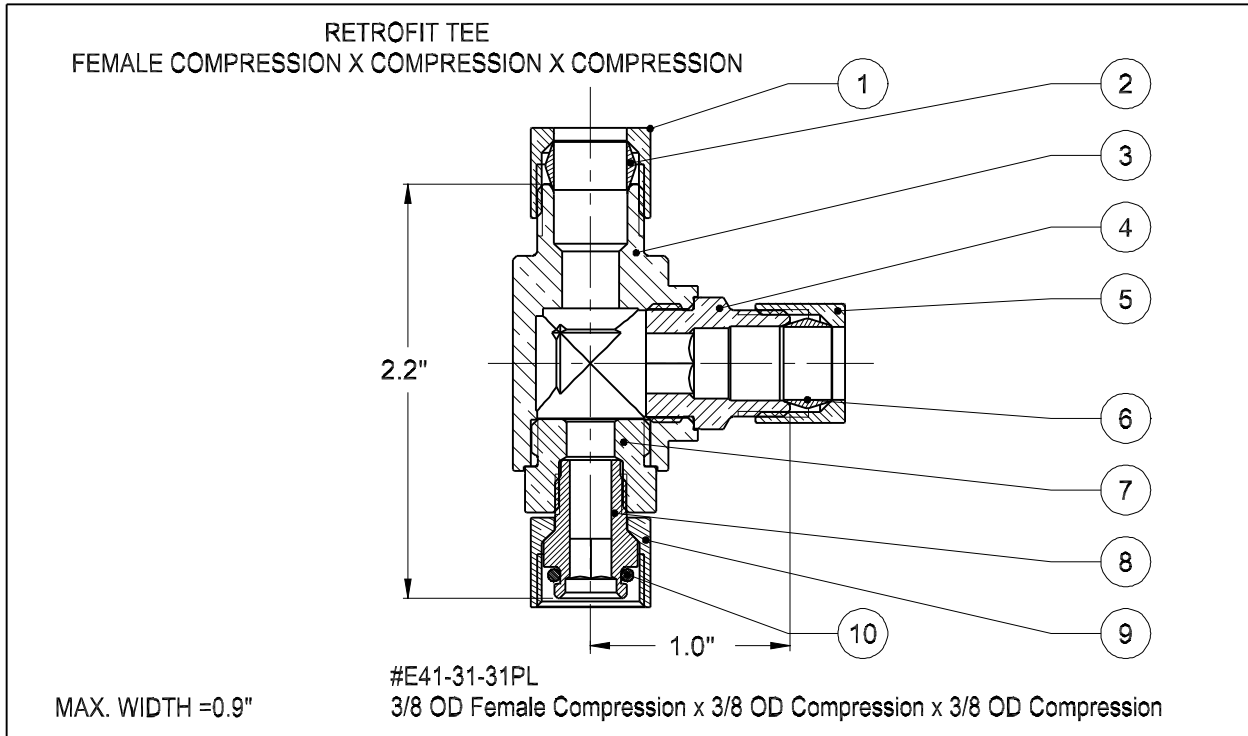


# dahl-ECO mini-ball™ Valve

Plumbing



- |  |   |
|--|---|
| 1. Chrome Plated Brass 3/8 OD Compression Nut                | 6. Brass Tapered Sleeve                       |
| 2. Brass Tapered Sleeve                                      | 7. C693 Nickel Plated Brass Retrofit Adapter  |
| 3. C693 Chrome Plated Brass Body with 3/8 OD Compression End | 8. C693 Brass 3/8 OD Fem. Compression End     |
| 4. C693 Nickel Plated Brass 3/8 OD Compression End           | 9. Chrome Plated Brass 3/8 OD Compression Nut |
| 5. Chrome Plated Brass 3/8 OD Compression Nut                | 10. EPDM O-ring                               |

Working Pressure: 250 psi / 250°F  
depending on pipe material.

 , UPC  
NSF / ANSI 61-G

Designed and Manufactured in  
Canada

Wetted surface area contains <0.1wt% weighted average lead.



dahl brothers canada limited

2600 S. SHERIDAN WAY, MISSISSAUGA, ON, CANADA L5J 2M4  
905-822-2330 CAN 800-268-5355 U.S. 800-268-2363  
FAX(905) 855-1450, USA AND CANADA 800-226-1801  
[www.sales@dahlvalve.com](mailto:www.sales@dahlvalve.com) [www.dahlvalve.com](http://www.dahlvalve.com)

We reserve the right to alter prices and/or technical details without notice