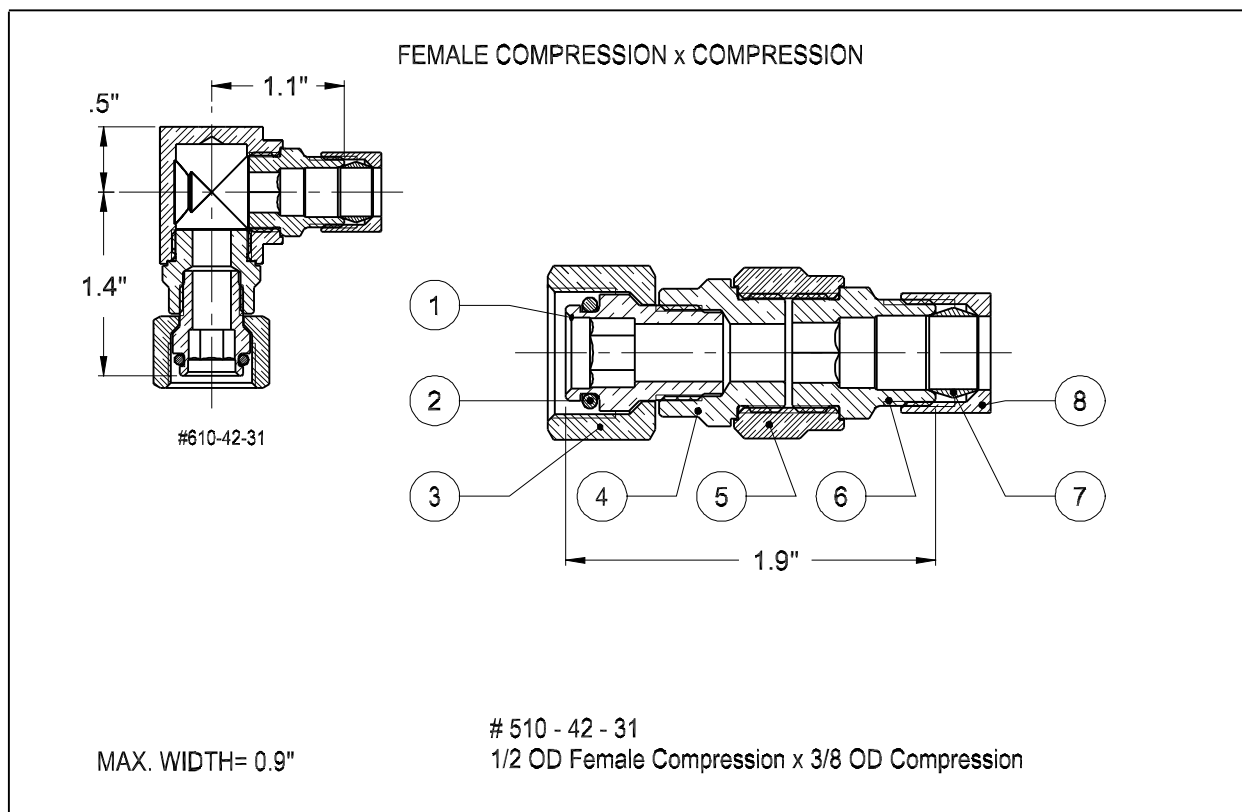


dahl-ECO Adapter

For Plumbing Applications – End of Line Only



- | | |
|---|--|
| 1. C693 Brass 1/2 OD Female Compression End | 5. C693 Chrome Plated Brass Adapter Body |
| 2. EPDM O-ring | 6. C693 Nickel Plated Brass 3/8 OD Compression End |
| 3. Chrome Plated Brass Nut | 7. Brass Tapered Sleeve |
| 4. C693 Nickel Plated Brass Adapter | 8. Chrome Plated Brass 3/8 OD Compression Nut |

Working Pressure: 250 psi / 250°F
depending on pipe material.

 **UPC**
NSF / ANSI 61-G

Designed and Manufactured in
Canada

For End of Line Use Only

Wetted surface area contains <0.1wt% weighted average lead.



dahl brothers canada limited

2600 S. SHERIDAN WAY, MISSISSAUGA, ON, CANADA L5J 2M4
905-822-2330 CAN 800-268-5355 U.S. 800-268-2363
FAX(905) 855-1450, USA AND CANADA 800-226-1801
www.sales@dahlvalve.com www.dahlvalve.com

We reserve the right to alter prices and/or technical details without notice