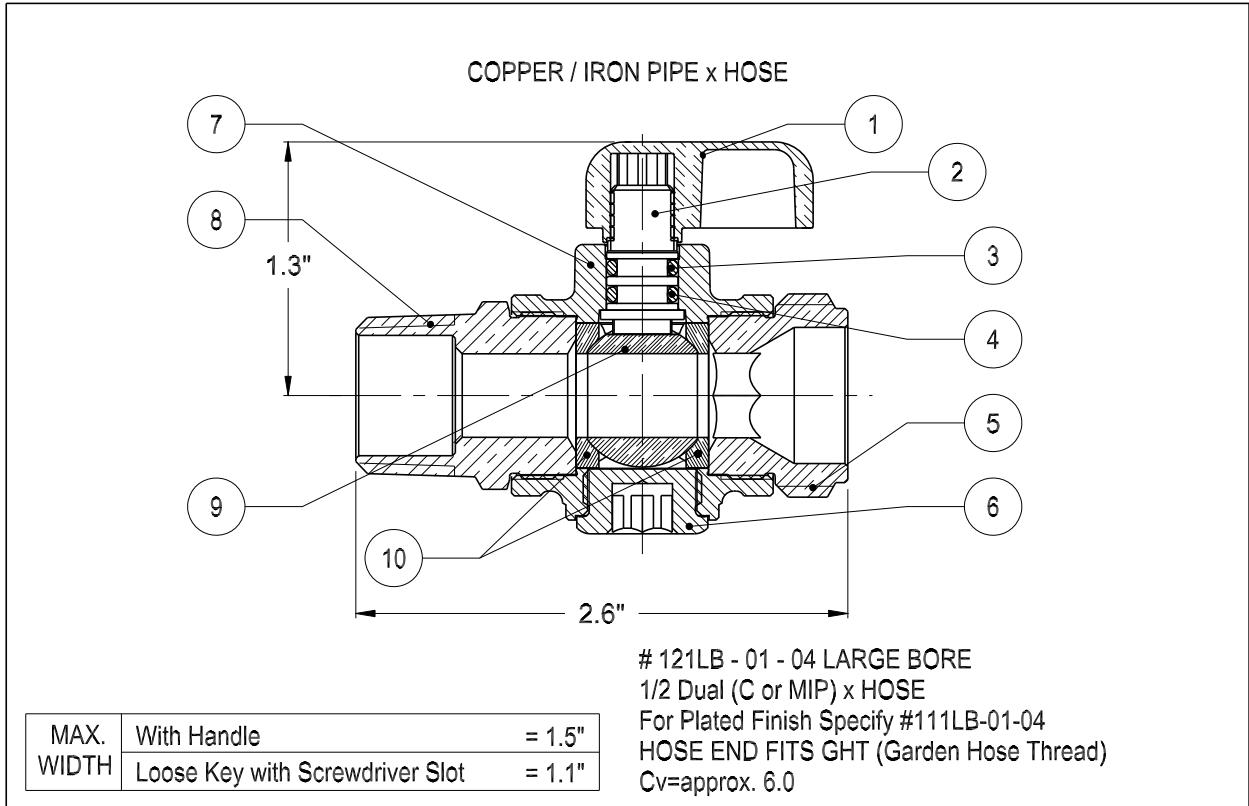


# Dahl **mini-ball**<sup>TM</sup> Valve

Plumbing, Heating, Cooling - NOT FOR POTABLE



Text Below Represents Rough Brass Finish

- |                                  |                                      |
|----------------------------------|--------------------------------------|
| 1. Handle - Nickel Plated Zinc   | 6. Plug - Brass                      |
| 2. Spindle - Nickel Plated Brass | 7. Body - Brass                      |
| 3. O-Ring - EPDM                 | 8. End - 1/2 Dual (C or MIP) - Brass |
| 4. O-Ring - Fluorocarbon (FKM)   | 9. Ball - Plated Brass               |
| 5. End - Hose - Brass            | 10. Seals - PTFE                     |

Working Pressure: 250 psi / 250°F  
depending on pipe material.



Designed and Manufactured in  
Canada

Also available: Loose Key with Screwdriver Slot operation

DO NOT DISMANTLE - SOLDER IN OPEN POSITION



## dahl brothers canada limited

2600 S. SHERIDAN WAY, MISSISSAUGA, ON, CANADA L5J 2M4  
905-822-2330      CAN 800-268-5355      U.S. 800-268-2363  
FAX(905) 855-1450, USA AND CANADA 800-226-1801  
[sales@dahlvalve.com](mailto:sales@dahlvalve.com)      [www.dahlvalve.com](http://www.dahlvalve.com)

We reserve the right to alter prices and/or technical details without notice