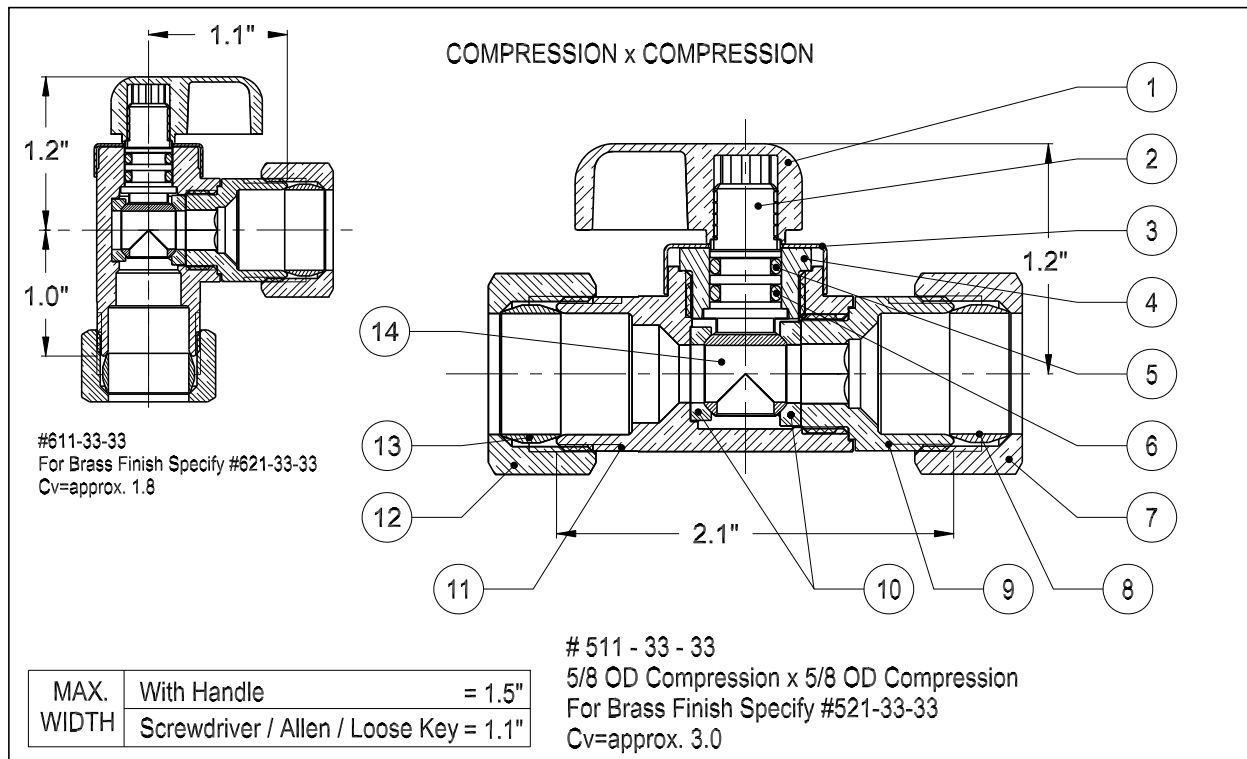


dahl-ECO mini-ball™ Valve

Lead-Free Compliant - Plumbing



- | | |
|---|--|
| 1. Handle - Nickel Plated Zinc | 8. Tapered Sleeve - Brass |
| 2. Spindle - Nickel Plated Brass | 9. End - 5/8 OD Compression - Nickel Plated Brass |
| 3. Handle Stop Cap - Nickel Plated Brass | 10. Seals - PTFE |
| 4. Spindle Bushing - Brass | 11. Body - with 5/8 OD Compression - Chrome Plated Brass |
| 5. O-Ring - EPDM | 12. Nut - 5/8 OD Compression - Chrome Plated Brass |
| 6. O-Ring - Fluorocarbon (FKM) | 13. Tapered Sleeve - Brass |
| 7. Nut - 5/8 OD Compression Chrome Plated Brass | 14. Ball - Plated Brass |

Working Pressure: 250 psi / 250°F
depending on pipe material.

 , UPC
NSF / ANSI 61-G
NSF / ANSI 372

Designed and Manufactured in
Canada

Also available: Loose Key with Screwdriver Slot operation



dahl brothers canada limited

2600 S. SHERIDAN WAY, MISSISSAUGA, ON, CANADA L5J 2M4
905-822-2330 CAN 800-268-5355 U.S. 800-268-2363
FAX(905) 855-1450, USA AND CANADA 800-226-1801
sales@dahlvalve.com www.dahlvalve.com