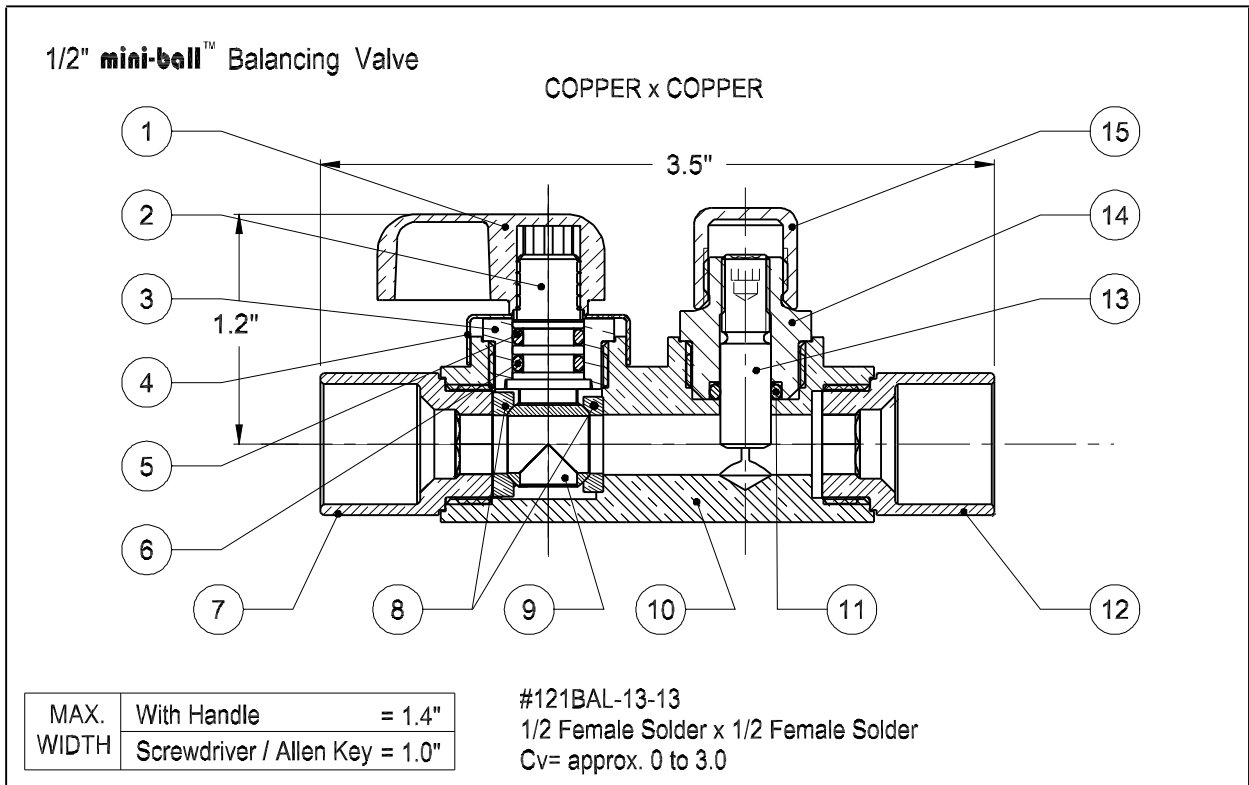


Dahl **mini-ball™** Valve

Heating, Cooling



- | | |
|--------------------------------|--|
| 1. Nickel Plated Zinc Handle | 9. Plated Brass Ball |
| 2. Nickel Plated Brass Spindle | 10. Brass Body |
| 3. Brass Spindle Bushing | 11. Viton* O-ring |
| 4. Handle Stop Cap (Brass) | 12. Brass 1/2 Female Solder End |
| 5. EPDM O-ring | 13. Nickel Plated Brass Metering Spindle |
| 6. Viton* O-ring | 14. Brass Spindle Bushing |
| 7. Brass 1/2 Female Solder End | 15. Brass Safety Cap |
| 8. Teflon* Seals | |

Working Pressure: 250 psi / 250°F
depending on pipe material.

 UPC
NSF / ANSI 61
ASME A112.18.1M

Designed and Manufactured in
Canada

DO NOT DISMANTLE - SOLDER IN OPEN POSITION
Also available with Screwdriver, Allen or Loose Key operation



dahl brothers canada limited

2600 S. SHERIDAN WAY, MISSISSAUGA, ON, CANADA L5J 2M4
905-822-2330 CAN 800-268-5355 U.S. 800-268-2363
FAX(905) 855-1450, USA AND CANADA 800-226-1801
[www.sales@dahlvalve.com](mailto:sales@dahlvalve.com) www.dahlvalve.com

* Registered Trademark of E.I. DuPont Nemours.

We reserve the right to alter prices and/or technical details without notice