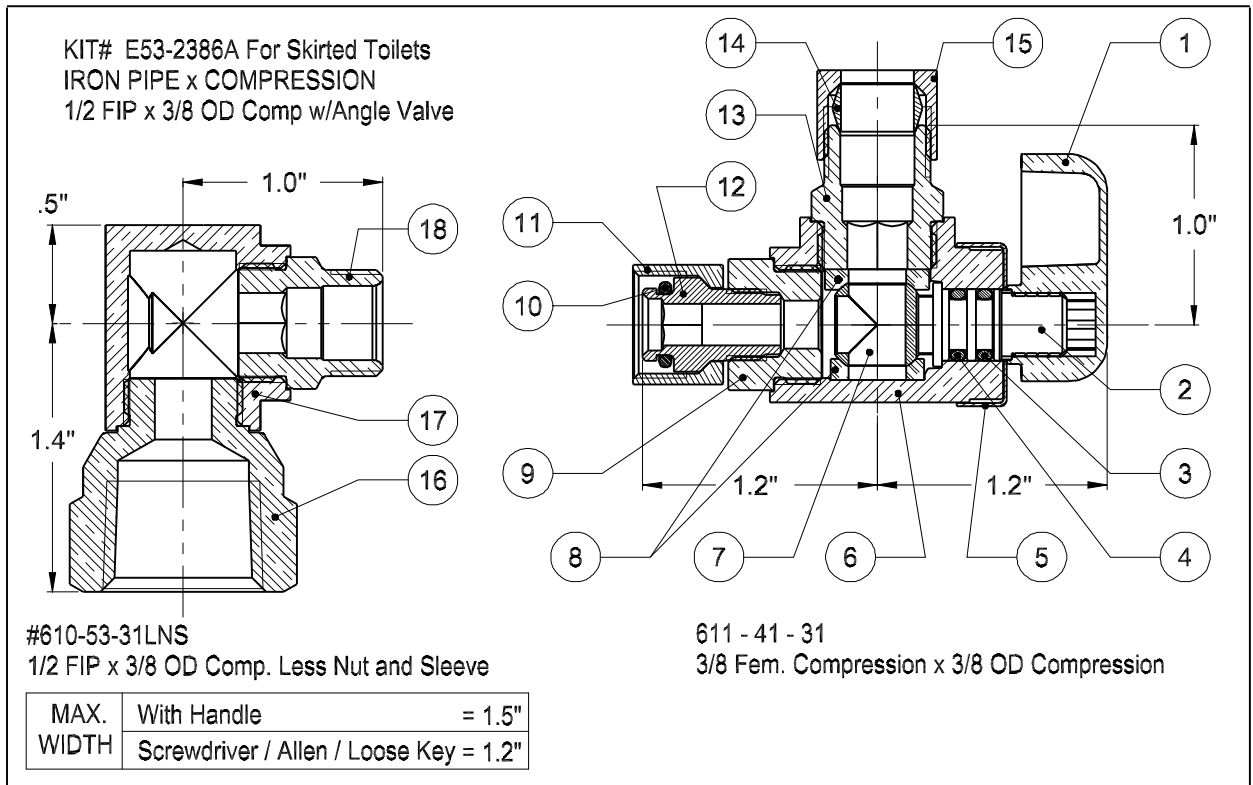


# dahl-ECO mini-ball™ Valve

Plumbing



- |  |   |
|--|---|
| 1. Nickel Plated Zinc Handle                 | 10. EPDM O-ring                                     |
| 2. C693 Nickel Plated Brass Spindle          | 11. Chrome Plated Brass 3/8 OD Compression Nut      |
| 3. EPDM O-ring                               | 12. C693 Brass 3/8 Fem. Compression End             |
| 4. Viton* O-ring                             | 13. C693 Nickel Plated Brass 3/8 OD Compression End |
| 5. Nickel Plated Brass Stop Cap              | 14. Brass Tapered Sleeve                            |
| 6. C693 Chrome Plated Brass Body             | 15. Chrome Plated Brass 3/8 OD Compression Nut      |
| 7. C693 Plated Brass Ball                    | 16. C693 Nickel Plated Brass 5/8 OD Compression End |
| 8. Teflon* Seals                             | 17. C693 Chrome Plated Brass Elbow                  |
| 9. C693 Nickel Plated Brass Retrofit Adapter | 18. C693 Chrome Plated Brass 1/2 FIP End            |

UPC  
NSF / ANSI 61-G

Designed and Manufactured in  
Canada

Wetted surface area contains <0.1wt% weighted average lead.

Also available with Screwdriver, Allen or Loose Key operation



**dahl brothers canada limited**

2600 S. SHERIDAN WAY, MISSISSAUGA, ON, CANADA L5J 2M4  
905-822-2330 CAN 800-268-5355 U.S. 800-268-2363  
FAX(905) 855-1450, USA AND CANADA 800-226-1801  
[www.sales@dahlvalve.com](http://www.sales@dahlvalve.com) [www.dahlvalve.com](http://www.dahlvalve.com)

\* Registered Trademark of E.I. DuPont Nemours.

We reserve the right to alter prices and/or technical details without notice