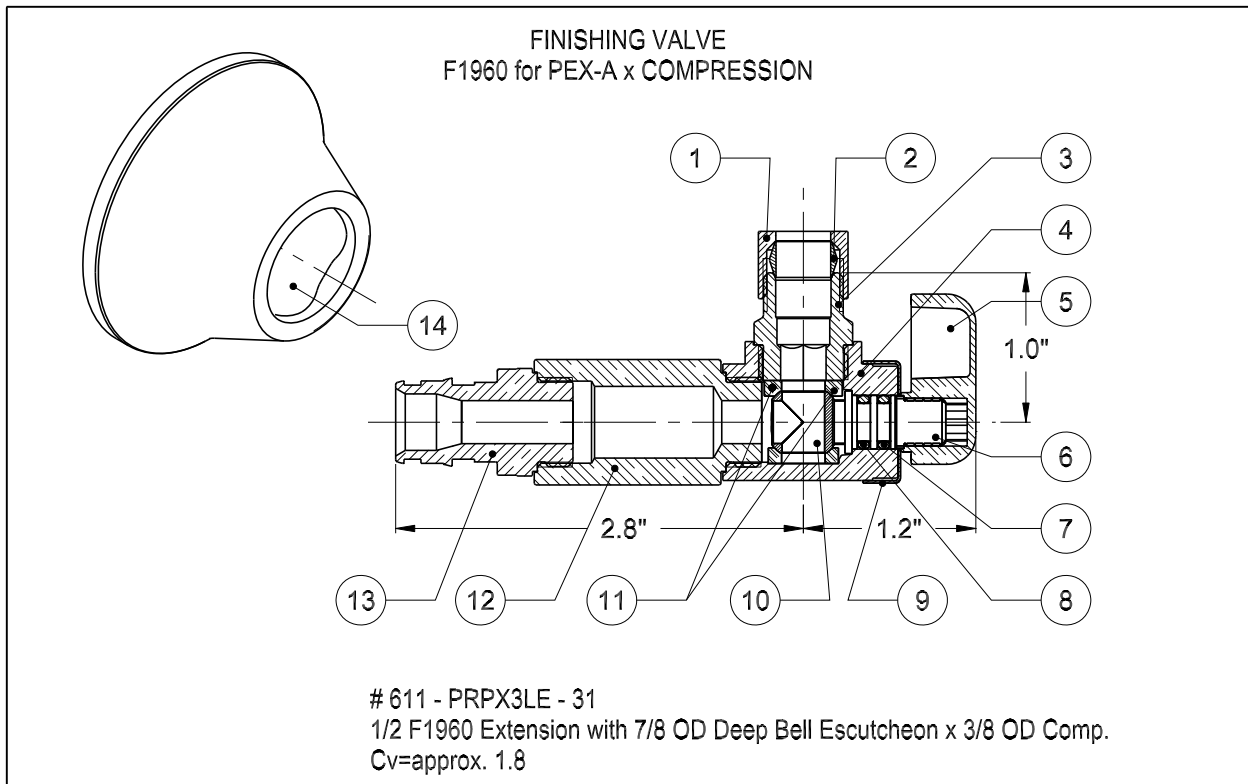


# dahl-ECO mini-ball™ Valve

Lead-Free Compliant - Plumbing

TDS - 567-LF  
New Mar/15



- |   |  |
|---|--|
| 1. Nut - 3/8 OD Compression - Plated Brass        | 8. O-Ring - Fluorocarbon (FKM)                               |
| 2. Tapered Sleeve - Brass                         | 9. Stop Cap - Nickel Plated Brass                            |
| 3. End - 3/8 OD Compression - Nickel Plated Brass | 10. Ball - Plated Brass                                      |
| 4. Body - Chrome Plated Brass                     | 11. Seals - PTFE   |
| 5. Handle - Nickel Plated Zinc                    | 12. Extension - Chrome Plated Brass                          |
| 6. Spindle - Nickel Plated Brass                  | 13. End - 1/2 F1960 for 1/2 nom. PEX-A - Nickel Plated Brass |
| 7. O-Ring - EPDM                                  | 14. Deep Bell Escutcheon - Plated                            |

Working Pressure: 250 psi / 250°F  
depending on pipe material.

 , UPC®  
NSF / ANSI 61-G  
NSF / ANSI 372

Designed and Manufactured in  
Canada

Also available: Loose Key with Screwdriver Slot operation



## dahl brothers canada limited

2600 S. SHERIDAN WAY, MISSISSAUGA, ON, CANADA L5J 2M4  
905-822-2330 CAN 800-268-5355 U.S. 800-268-2363  
FAX(905) 855-1450, USA AND CANADA 800-226-1801  
[sales@dahlvalve.com](mailto:sales@dahlvalve.com) [www.dahlvalve.com](http://www.dahlvalve.com)