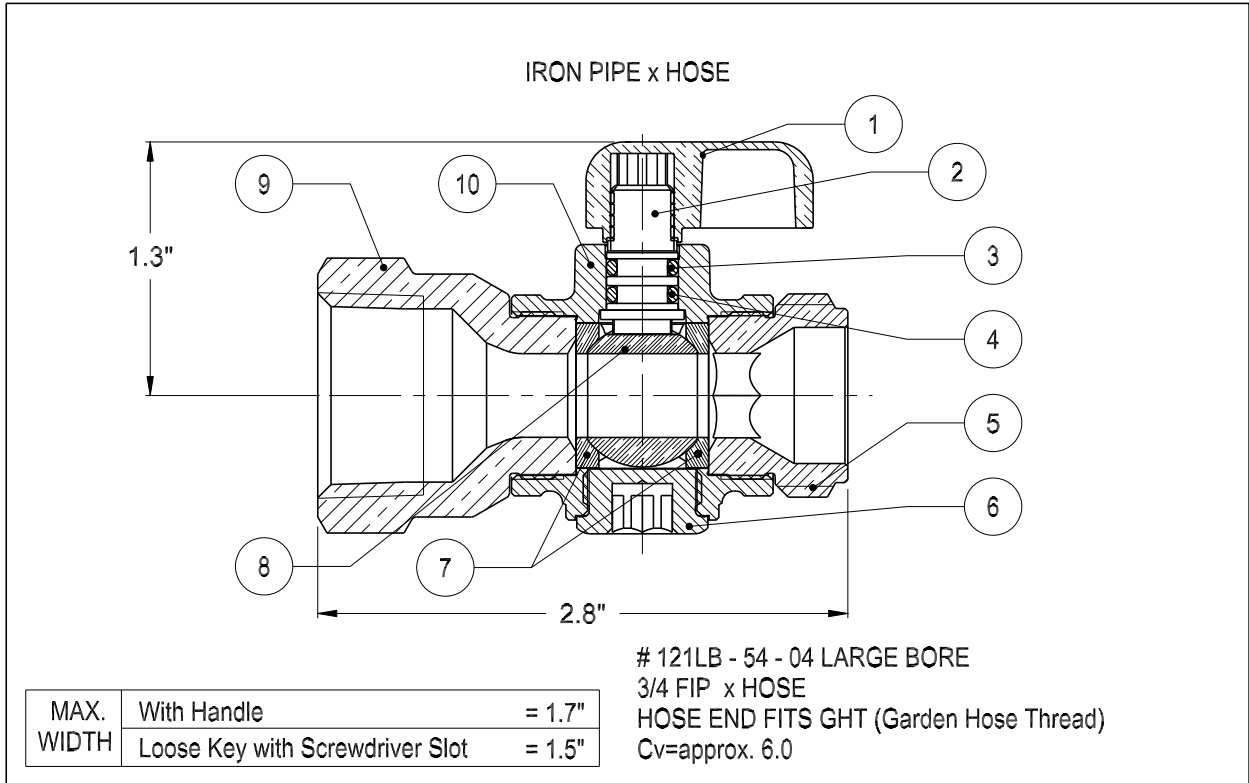


Dahl **mini-ball**™ Valve

Plumbing, Heating, Cooling - NOT FOR POTABLE



- | | |
|---|--|
| <ul style="list-style-type: none"> 1. Handle - Nickel Plated Zinc 2. Spindle - Nickel Plated Brass 3. O-Ring - EPDM 4. O-Ring - Fluorocarbon (FKM) 5. End - Hose - Brass | <ul style="list-style-type: none"> 6. Plug - Brass 7. Seals - PTFE 8. Ball - Plated Brass 9. End - 3/4 FIP - Brass 10. Body - Brass |
|---|--|

Working Pressure: 250 psi / 250°F
depending on pipe material.



Designed and Manufactured in
Canada

Also available: Loose Key with Screwdriver Slot operation



dahl brothers canada limited

2600 S. SHERIDAN WAY, MISSISSAUGA, ON, CANADA L5J 2M4
 905-822-2330 CAN 800-268-5355 U.S. 800-268-2363
 FAX(905) 855-1450, USA AND CANADA 800-226-1801
sales@dahlvalve.com www.dahlvalve.com

We reserve the right to alter prices and/or technical details without notice