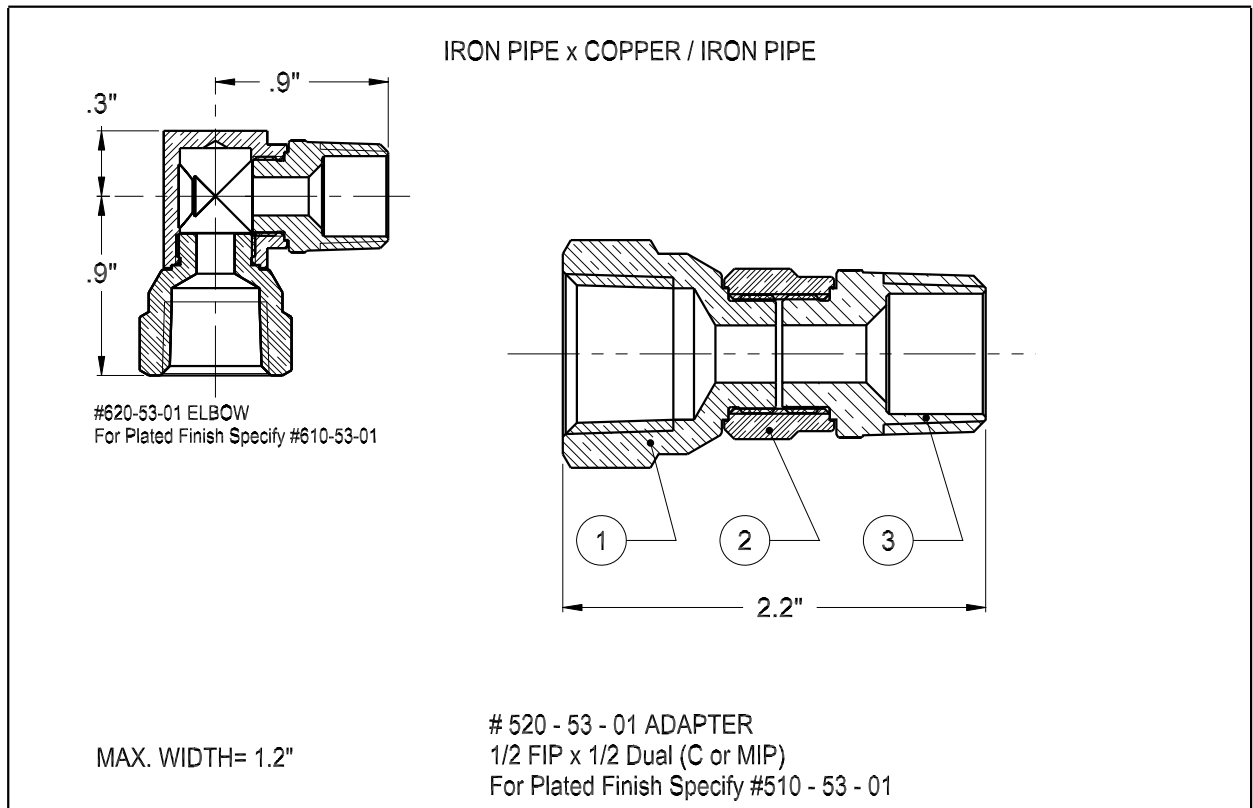


# dahl-ECO mini-ball™ Adapter/Elbow

Plumbing, Heating, Cooling – End of Line Only



Text Below Represents Brass Finish

1. C693 Brass 1/2 FIP End
2. C693 Brass Adapter Body
3. C693 Brass 1/2 Dual (C or MIP) End

Working Pressure: 250 psi / 250°F  
depending on pipe material.

 , UPC®  
NSF / ANSI 61-G

Designed and Manufactured in  
Canada

Wetted surface area contains <0.1wt% weighted average lead.

For End of Line Use Only



dahl brothers canada limited

2600 S. SHERIDAN WAY, MISSISSAUGA, ON, CANADA L5J 2M4  
905-822-2330 CAN 800-268-5355 U.S. 800-268-2363  
FAX(905) 855-1450, USA AND CANADA 800-226-1801  
sales@dahlvalve.com www.dahlvalve.com

We reserve the right to alter prices and/or technical details without notice