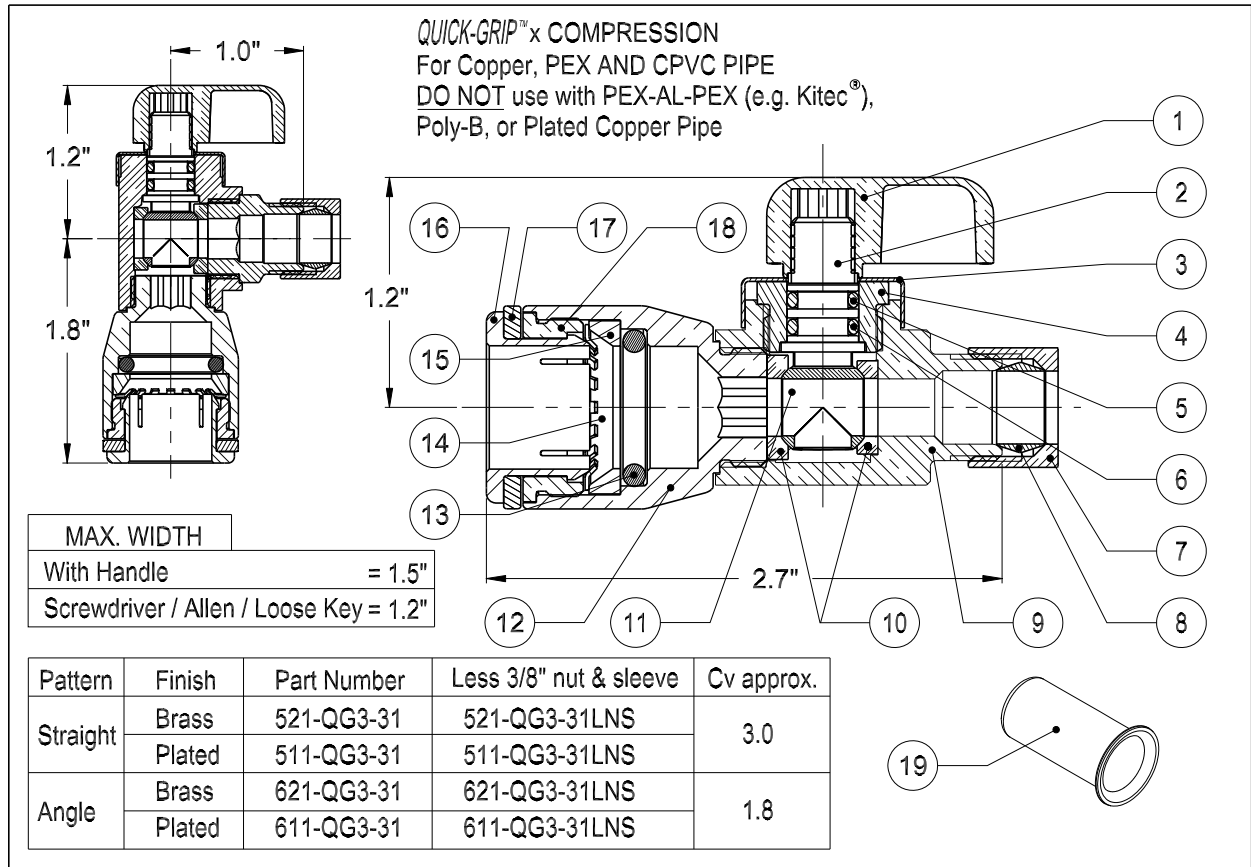


dahl-ECO mini-ball™ Valve

TDS - 615
Rev Jan/14

Plumbing



Text Below Represents Plated Finish

- | | |
|---|---|
| 1. Nickel Plated Zinc Handle | 10. PTFE Seals |
| 2. C693 Nickel Plated Brass Spindle | 11. C693 Plated Brass Ball |
| 3. Handle Stop Cap (Nickel Plated Brass) | 12. C693 Chrome Plated Brass Housing |
| 4. C693 Brass Spindle Bushing | 13. EPDM O-ring |
| 5. EPDM O-ring | 14. Stainless Steel Retaining Clip |
| 6. Fluorocarbon (FKM) O-ring | 15. Nylon O-ring Protector |
| 7. Chrome Plated Brass 3/8 OD Compression Nut | 16. Nylon Release Sleeve |
| 8. Brass Tapered Sleeve | 17. Acetal Locking Clip |
| 9. C693 Chrome Plated Brass Body with Integrated 3/8 OD Comp. End | 18. Nickel Plated Brass Retaining Nut |
| | 19. Stainless Steel Insert for PEX pipe |

Working Pressure/Temperature: Up to 125 PSI / 180°F depending on pipe material.

UPC®
NSF / ANSI 61-G
ASSE 1061

Designed and Manufactured in Canada

Wetted surface area contains <0.1wt% weighted average lead.

Also available with Screwdriver, Allen or Loose Key operation



dahl brothers canada limited

2600 S. SHERIDAN WAY, MISSISSAUGA, ON, CANADA L5J 2M4
905-822-2330 CAN 800-268-5355 U.S. 800-268-2363
FAX(905) 855-1450, USA AND CANADA 800-226-1801
sales@dahlvalve.com www.dahlvalve.com

We reserve the right to alter prices and/or technical details without notice