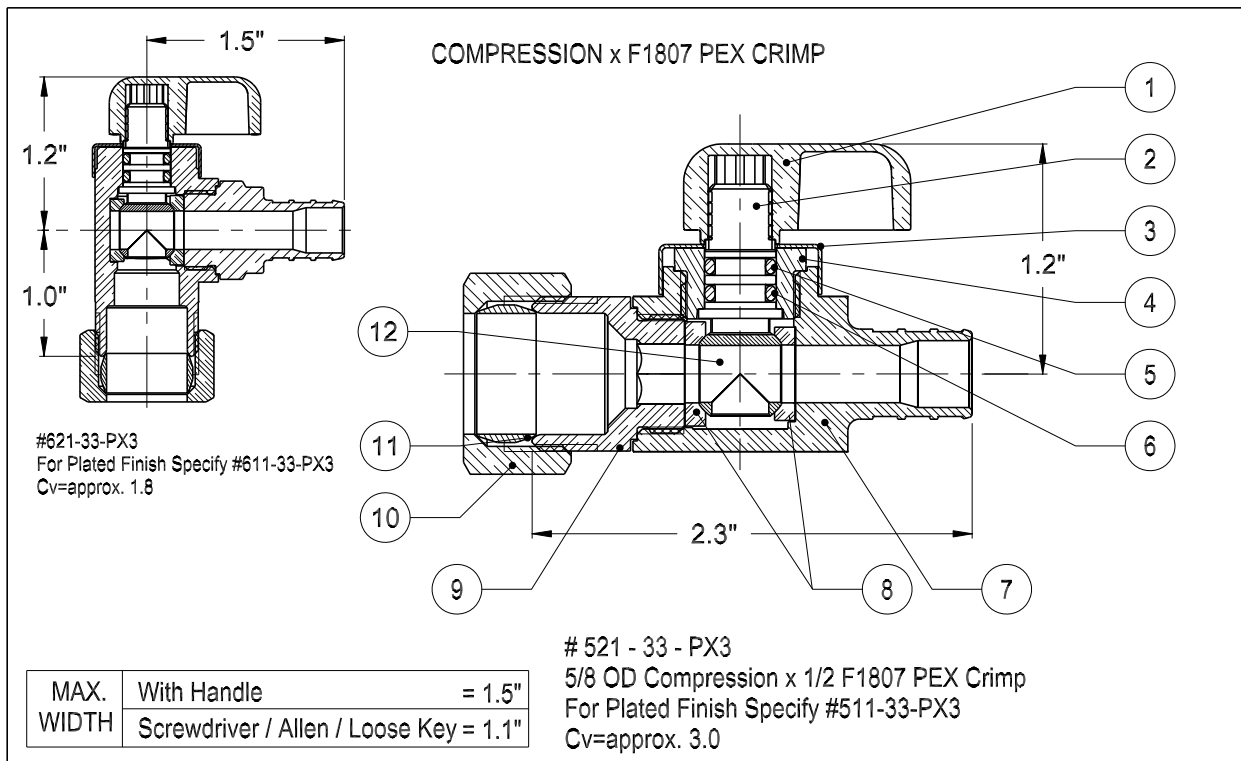


dahl-ECO mini-ball™ Valve

Plumbing



Text Below Represents Brass Finish

- | | |
|-------------------------------------|--|
| 1. Nickel Plated Zinc Handle | 7. C693 Brass Body with Integrated 1/2 F1807 PEX Crimp End |
| 2. C693 Nickel Plated Brass Spindle | 8. PTFE Seals |
| 3. Handle Stop Cap (Brass) | 9. C693 Brass 5/8 OD Compression End |
| 4. C693 Brass Spindle Bushing | 10. Brass 5/8 OD Compression Nut |
| 5. EPDM O-Ring | 11. Brass Tapered Sleeve |
| 6. Fluorocarbon (FKM) O-Ring | 12. C693 Plated Brass Ball |

Working Pressure: 250 psi / 250°F
depending on pipe material.

 us, UPC®
NSF / ANSI 61-G

Designed and Manufactured in
Canada

Wetted surface area contains <0.1wt% weighted average lead.

Also available with Screwdriver, Allen or Loose Key operation



dahl brothers canada limited

2600 S. SHERIDAN WAY, MISSISSAUGA, ON, CANADA L5J 2M4
905-822-2330 CAN 800-268-5355 U.S. 800-268-2363
FAX(905) 855-1450, USA AND CANADA 800-226-1801
sales@dahlvalve.com www.dahlvalve.com

We reserve the right to alter prices and/or technical details without notice