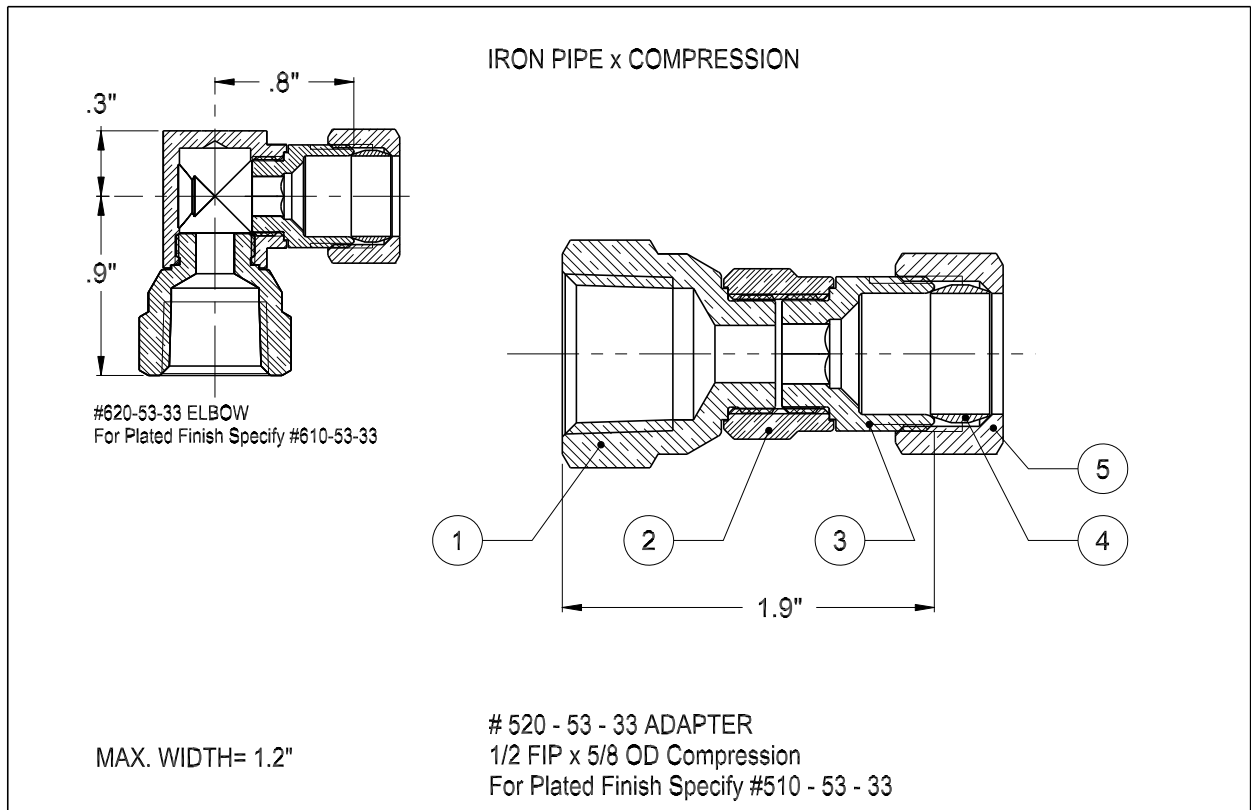


dahl-ECO mini-ball™ Adapter/Elbow

Plumbing, Heating, Cooling – End of Line Only



Text Below Represents Brass Finish

- | | |
|--------------------------------------|---------------------------------|
| 1. C693 Brass 1/2 FIP End | 4. Brass Tapered Sleeve |
| 2. C693 Brass Adapter Body | 5. Brass 5/8 OD Compression End |
| 3. C693 Brass 5/8 OD Compression End | |

Working Pressure: 250 psi / 250°F
depending on pipe material.



NSF / ANSI 61-G

Designed and Manufactured in
Canada

Wetted surface area contains <0.1wt% weighted average lead.

For End of Line Use Only



dahl brothers canada limited

2600 S. SHERIDAN WAY, MISSISSAUGA, ON, CANADA L5J 2M4
905-822-2330 CAN 800-268-5355 U.S. 800-268-2363
FAX(905) 855-1450, USA AND CANADA 800-226-1801
sales@dahlvalve.com www.dahlvalve.com

We reserve the right to alter prices and/or technical details without notice