

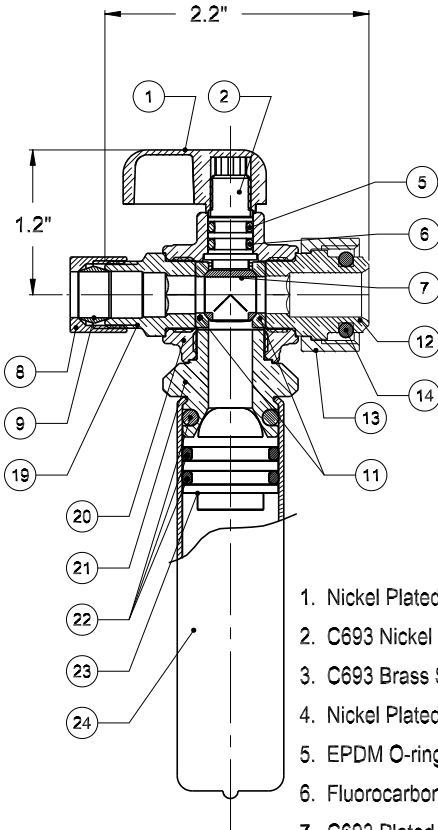
dahl-ECO mini-ball™ Valve

Plumbing

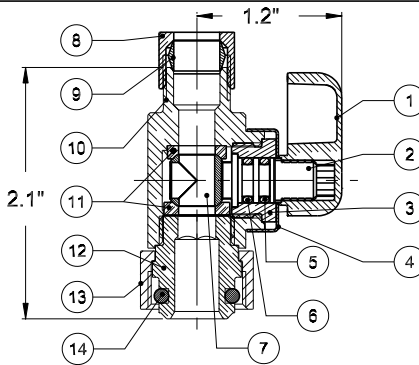
TDS - 623
New Feb/14

KIT# E33-5001-WHA
DUAL SHUT-OFF VALVE
5/8 OD Comp. x 3/8 OD Comp. x
3/8 OD Comp. x AA Arrester

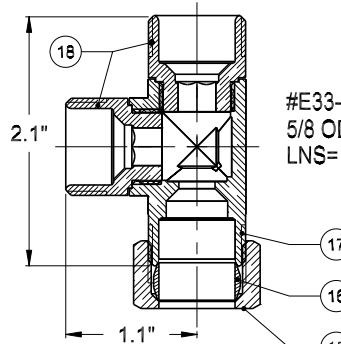
#511 - 43 - 31-14WHA
5/8 OD Fem. Comp. x 3/8 OD Comp. x AA Arrester



1. Nickel Plated Zinc Handle
2. C693 Nickel Plated Brass Spindle
3. C693 Brass Spindle Bushing
4. Nickel Plated Brass Handle Stop Cap
5. EPDM O-ring
6. Fluorocarbon (FKM) O-ring
7. C693 Plated Brass Ball
8. Chrome Plated 3/8 OD Comp. Nut
9. Brass Tapered Sleeve
10. C693 Chrome Plated Brass Body with 3/8 OD Comp.
11. PTFE Seals
12. C693 Brass 5/8 OD Female Compression End



#511 - 43 - 31
5/8 OD Fem. Comp. x 3/8 OD Comp.




#E33-33LNS-33LNS-PL
5/8 OD Comp. x 5/8 OD Comp. LNS x 5/8 OD Comp. LNS
LNS= Less Nut and Sleeve

MAX. WIDTH	With Handle	= 1.5"
	Screwdriver / Allen / Loose Key	= 1.2"

13. Chrome Plated Brass Female Compression Nut
14. EPDM O-ring
15. Chrome Plated Brass 5/8 OD Compression Nut
16. Brass Tapered Sleeve
17. C693 Chrome Plated Brass Body with 5/8 OD Comp. End
18. C693 Nickel Plated Brass 5/8 OD Compression End
19. C693 Nickel Plated 3/8 OD Compression End
20. C693 Chrome Plated Body
21. C693 Chrome Plated Brass Arrester Adapter
22. EPDM O-rings
23. Polypropylene Piston
24. Chrome Plated Copper Barrel

Working Pressure: 250 psi / 250°F
depending on pipe material.

 , UPC
NSF / ANSI 61-G

Designed and Manufactured in
Canada

Wetted surface area contains <0.1wt% weighted average lead.

AA Size Water Hammer Arrester - ASSE 1010 Listed

Also available with Screwdriver, Allen or Loose Key operation



dahl brothers canada limited

2600 S. SHERIDAN WAY, MISSISSAUGA, ON, CANADA L5J 2M4
905-822-2330 CAN 800-268-5355 U.S. 800-268-2363
FAX(905) 855-1450, USA AND CANADA 800-226-1801
sales@dahlvalve.com www.dahlvalve.com

We reserve the right to alter prices and/or technical details without notice