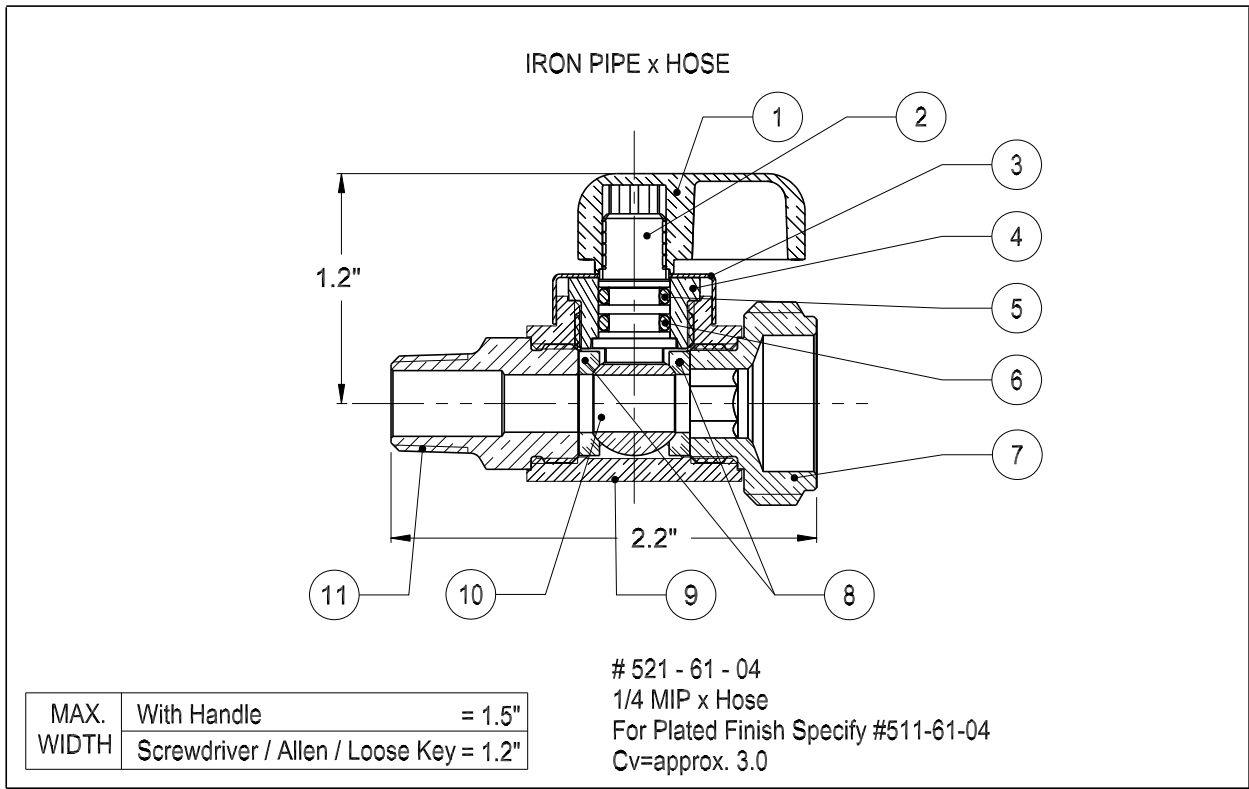


# dahl-ECO mini-ball™ Valve

Plumbing, Heating, Cooling

TDS - 624  
New Mar/14



Text Below Represents Brass Finish

- |  |   |
|--|---|
| 1. Nickel Plated Zinc Handle                               | 7. C693 Brass Hose End                    |
| 2. C360 Nickel Plated Brass Spindle (not a wetted surface) | 8. PTFE Seals                             |
| 3. Handle Stop Cap (Brass)                                 | 9. C360 Brass Body (not a wetted surface) |
| 4. C360 Brass Spindle Bushing (not a wetted surface)       | 10. C693 Plated Ball                      |
| 5. EPDM O-ring   | 11. C693 Brass 1/4 MIP End                |
| 6. Fluorocarbon (FKM) O-ring                               |   |

Working Pressure: 250 psi / 250°F  
depending on pipe material.

 , UPC  
NSF / ANSI 61-G

Designed and Manufactured in  
Canada

Wetted surface area contains <0.1wt% weighted average lead.

Also available with Screwdriver, Allen or Loose Key operation



dahl brothers canada limited

2600 S. SHERIDAN WAY, MISSISSAUGA, ON, CANADA L5J 2M4  
905-822-2330 CAN 800-268-5355 U.S. 800-268-2363  
FAX(905) 855-1450, USA AND CANADA 800-226-1801  
[sales@dahlvalve.com](mailto:sales@dahlvalve.com) [www.dahlvalve.com](http://www.dahlvalve.com)

We reserve the right to alter prices and/or technical details without notice