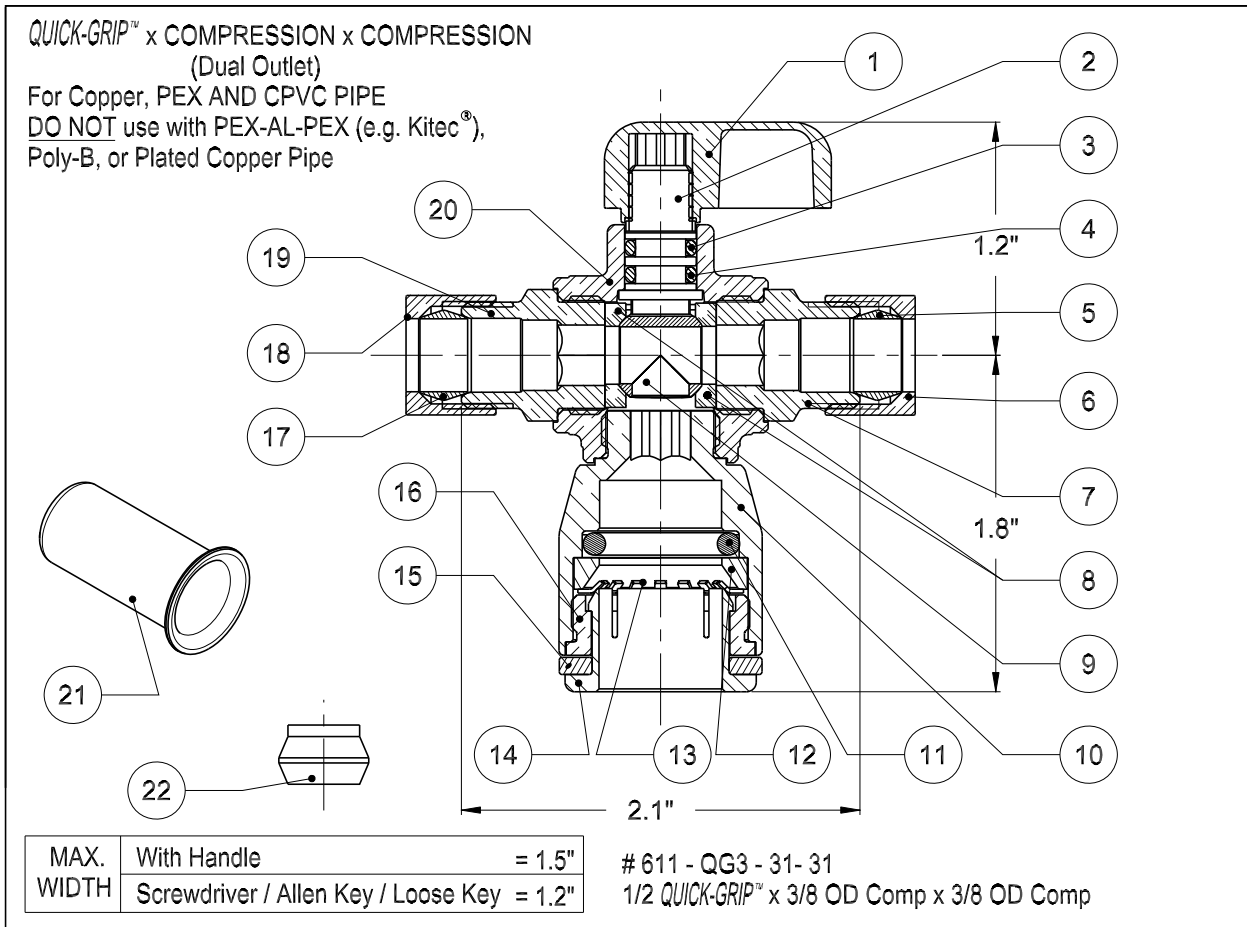


dahl-ECO mini-ball™ Valve

Plumbing

TDS - 627
New Mar/14



- | | |
|--|---|
| 1. Nickel Plated Zinc Handle | 12. Nylon O-ring Protector |
| 2. C693 Nickel Plated Brass Spindle | 13. Stainless Steel Retaining Clip |
| 3. EPDM O-ring | 14. Nylon Release Sleeve |
| 4. Fluorocarbon (FKM) O-ring | 15. Acetal Locking Clip |
| 5. Brass Tapered Sleeve | 16. Nickel Plated Brass Retaining Nut |
| 6. Chrome Plated Brass 3/8 OD Compression Nut | 17. Brass Tapered Sleeve |
| 7. C693 Nickel Plated Brass 3/8 OD Compression End | 18. Chrome Plated Brass 3/8 OD Compression Nut |
| 8. PTFE Seals | 19. C693 Nickel Plated Brass 3/8 OD Compression End |
| 9. C693 Plated Brass Ball | 20. C693 Chrome Plated Brass Body |
| 10. C693 Chrome Plated Brass Housing | 21. Stainless Steel Insert for PEX pipe |
| 11. EPDM O-ring | 22. C2745 Brass 3/8 OD Compression Plug |

Working Pressure/Temperature: Up to 125 PSI / 180°F depending on pipe material.

UPC®
NSF / ANSI 61-G
ASSE 1061

Designed and Manufactured in Canada

Wetted surface area contains <0.1wt% weighted average lead.
Also available with Screwdriver, Allen or Loose key operation



dahl brothers canada limited

2600 S. SHERIDAN WAY, MISSISSAUGA, ON, CANADA L5J 2M4
905-822-2330 CAN 800-268-5355 U.S. 800-268-2363
FAX(905) 855-1450, USA AND CANADA 800-226-1801
www.sales@dahlvalve.com www.dahlvalve.com

We reserve the right to alter prices and/or technical details without notice