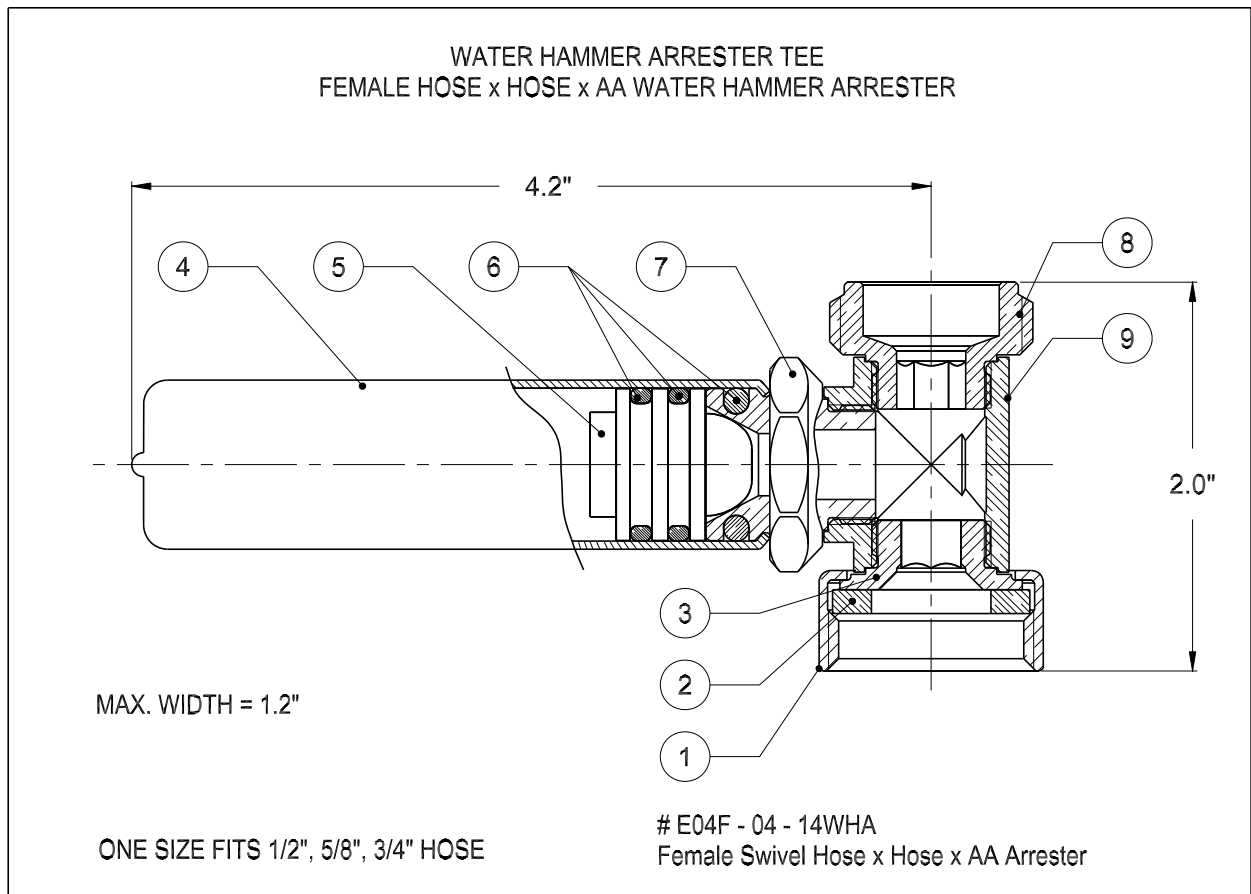


# dahl-ECO Tee

## Lead-Free Compliant - Plumbing

TDS - 652  
New Nov/14



Text Below Represents Raw Brass Finish

- |                                     |                             |
|-------------------------------------|-----------------------------|
| 1. Hose Coupling - Brass            | 6. O-Rings - EPDM           |
| 2. Gasket - EPDM                    | 7. Arrester Adapter - Brass |
| 3. End - Female Hose Swivel - Brass | 8. End - Hose - Brass       |
| 4. Barrel - Copper                  | 9. Body - Brass             |
| 5. Piston - Polypropylene           |                             |

Working Pressure: 250 psi / 250°F  
depending on pipe material.

 , UPC  
NSF / ANSI 61-G  
NSF / ANSI 372

Designed and Manufactured in  
Canada

AA Sized Water Hammer Arrester - ASSE 1010 Listed



### dahl brothers canada limited

2600 S. SHERIDAN WAY, MISSISSAUGA, ON, CANADA L5J 2M4  
905-822-2330 CAN 800-268-5355 U.S. 800-268-2363  
FAX(905) 855-1450, USA AND CANADA 800-226-1801  
[sales@dahlvalve.com](mailto:sales@dahlvalve.com) [www.dahlvalve.com](http://www.dahlvalve.com)