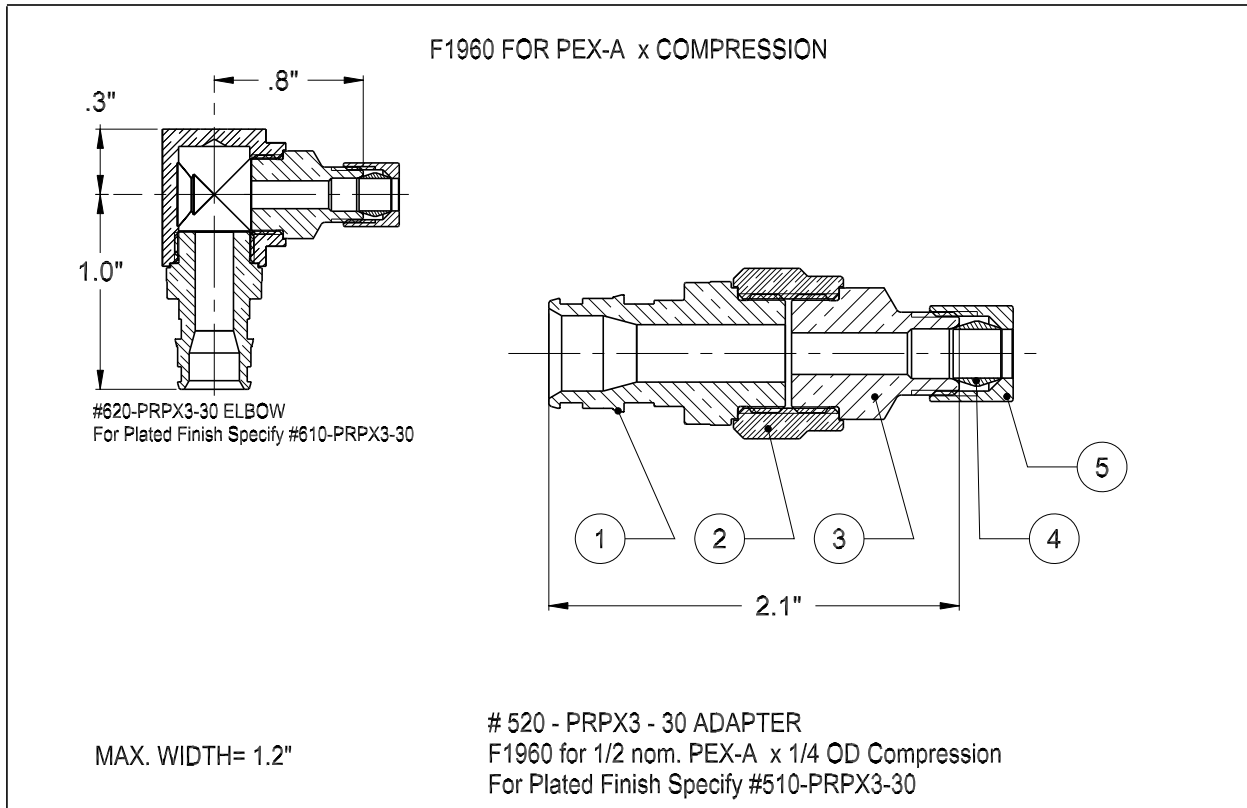


dahl-ECO mini-ball™ Adapter/Elbow

Lead-Free Compliant - Plumbing



Text Below Represents Brass Finish

1. End - F1960 for 1/2 nom. PEX-A - Brass
2. Adapter Body - Brass
3. End - 1/4 OD Compression - Brass
4. Tapered Sleeve - Brass
5. Nut - 1/4 OD Compression - Brass

Working Pressure: 250 psi / 250°F
depending on pipe material.

 , UPC
NSF / ANSI 61-G
NSF / ANSI 372

Designed and Manufactured in
Canada

For End of Line Use Only



dahl brothers canada limited

2600 S. SHERIDAN WAY, MISSISSAUGA, ON, CANADA L5J 2M4
905-822-2330 CAN 800-268-5355 U.S. 800-268-2363
FAX(905) 855-1450, USA AND CANADA 800-226-1801
sales@dahlvalve.com www.dahlvalve.com

We reserve the right to alter prices and/or technical details without notice