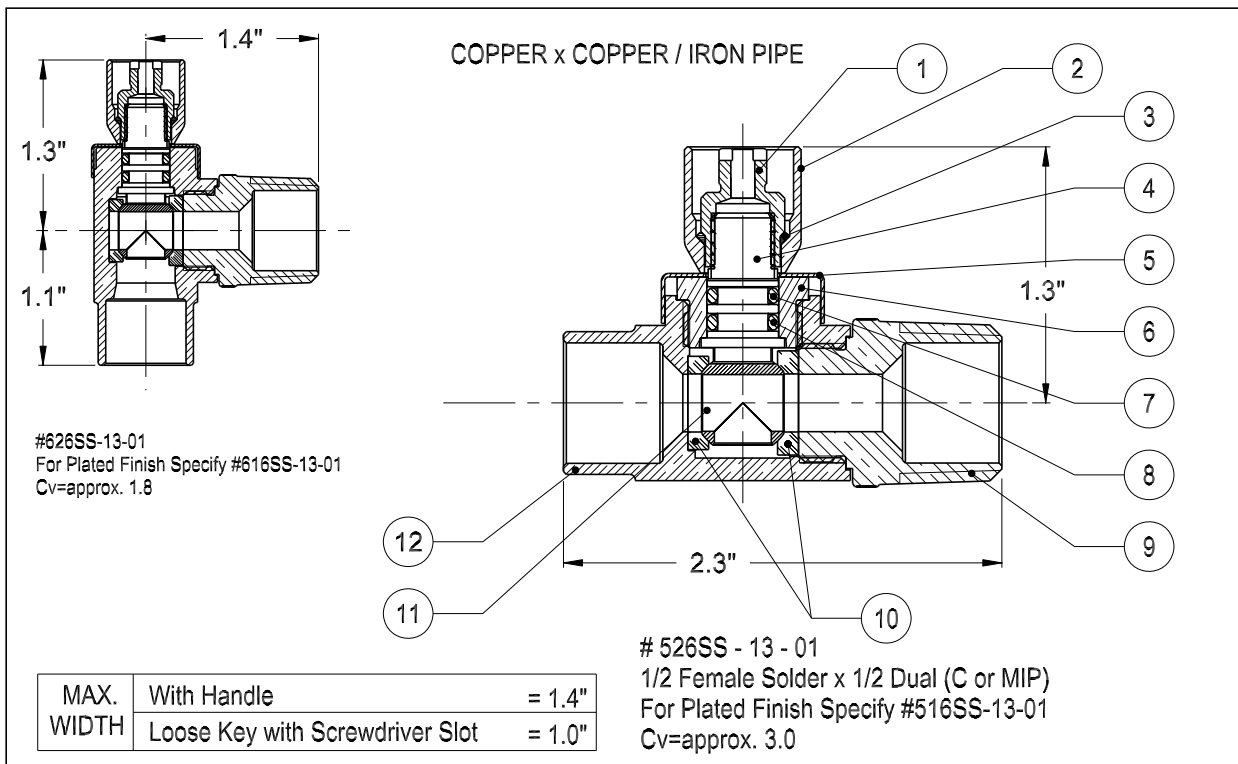


dahl-ECO mini-ball™ Valve

Lead-Free Compliant - Plumbing



Text Below Represents Brass Finish

- | | |
|--|---|
| 1. Loose Key Adapter with Screwdriver Slot - Nickel Plated Brass | 7. O-Ring - EPDM |
| 2. Lockshield - Nickel Plated Brass | 8. O-Ring - Fluorocarbon (FKM) |
| 3. Spacer - PTFE | 9. End - 1/2 Dual (C or MIP) - Brass |
| 4. Spindle - Nickel Plated Brass | 10. Seals - PTFE |
| 5. Handle Stop Cap - Brass | 11. Ball - Plated Brass |
| 6. Spindle Bushing - Brass | 12. Body - with 1/2 Female Solder End - Brass |

Working Pressure: 250 psi / 250°F
depending on pipe material.

 , UPC
NSF / ANSI 61-G
NSF / ANSI 372

Designed and Manufactured in
Canada

Also available: Handle operation



dahl brothers canada limited

2600 S. SHERIDAN WAY, MISSISSAUGA, ON, CANADA L5J 2M4
905-822-2330 CAN 800-268-5355 U.S. 800-268-2363
FAX(905) 855-1450, USA AND CANADA 800-226-1801
sales@dahlvalve.com www.dahlvalve.com