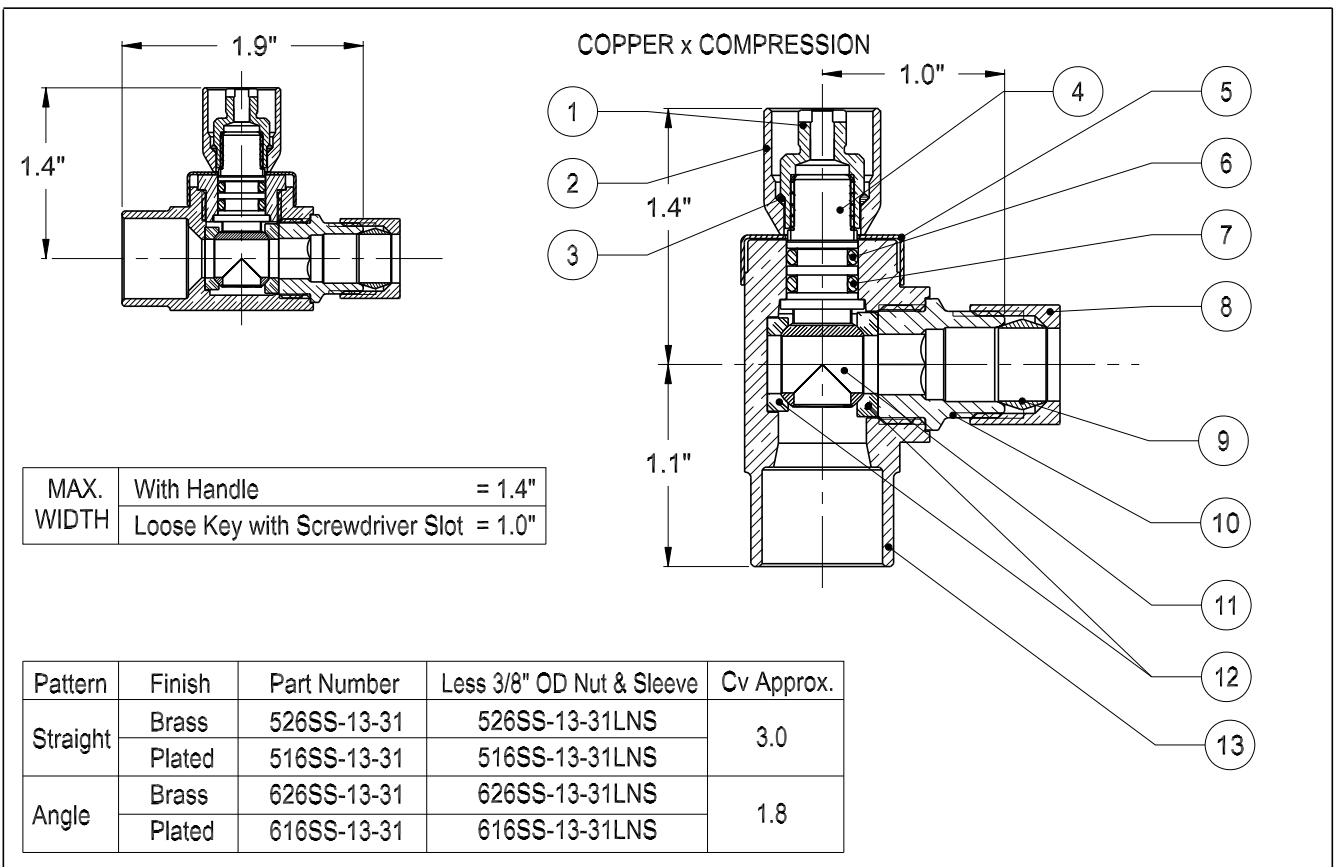


# dahl-ECO mini-ball™ Valve

Lead-Free Compliant - Plumbing



Text Below Represents Plated Finish

- |  |  |
|--|--|
| 1. Loose Key Adapter with Screwdriver Slot - Nickel Plated Brass | 8. Nut - 3/8 OD Compression - Plated Brass                           |
| 2. Lockshield - Nickel Plated Brass                              | 9. Tapered Sleeve - Brass  |
| 3. Spacer - PTFE   | 10. End - 3/8 OD Compression - Nickel Plated Brass                   |
| 4. Spindle - Nickel Plated Brass                                 | 11. Ball - Plated Brass  |
| 5. Stop Cap - Nickel Plated Brass                                | 12. Seals - PTFE   |
| 6. O-Ring - EPDM   | 13. Body with Integral End - 1/2 Female Solder - Chrome Plated Brass |
| 7. O-Ring - Fluorocarbon (FKM)                                   |  |

Working Pressure: 250 psi / 250°F  
depending on pipe material.

 , UPC.  
NSF / ANSI 61-G  
NSF / ANSI 372

Designed and Manufactured in  
Canada

Also available with Handle operation



## dahl brothers canada limited

2600 S. SHERIDAN WAY, MISSISSAUGA, ON, CANADA L5J 2M4  
905-822-2330 CAN 800-268-5355 U.S. 800-268-2363  
FAX(905) 855-1450, USA AND CANADA 800-226-1801  
[sales@dahlvalve.com](mailto:sales@dahlvalve.com) [www.dahlvalve.com](http://www.dahlvalve.com)

We reserve the right to alter prices and/or technical details without notice