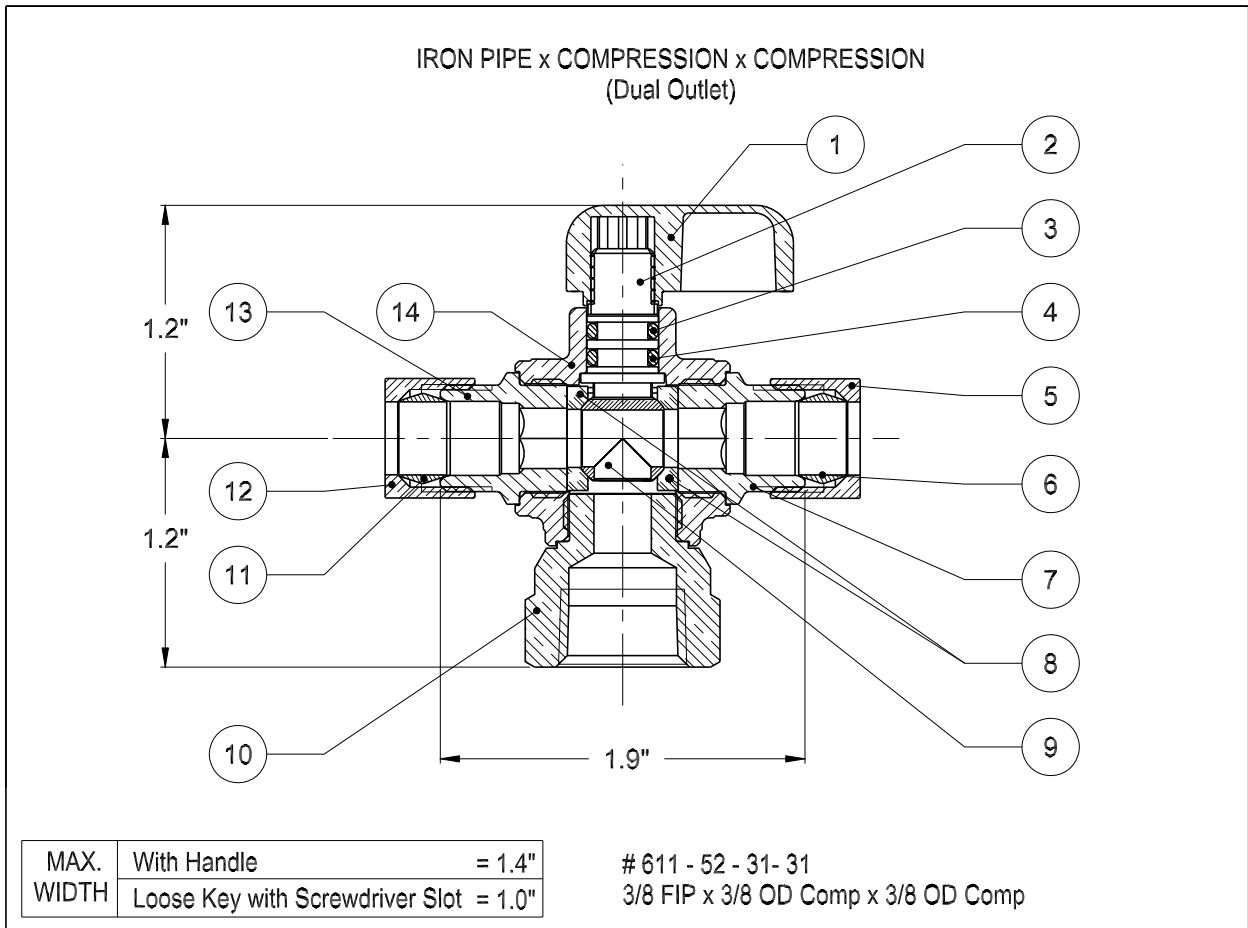


dahl-ECO mini-ball™ Valve

Lead-Free Compliant - Plumbing



- | | |
|--|---|
| <ul style="list-style-type: none"> 1. Handle - Nickel Plated Zinc 2. Spindle - Nickel Plated Brass 3. O-Ring - EPDM 4. O-Ring - Fluorocarbon (FKM) 5. Nut - 3/8 OD Compression - Plated Brass 6. Tapered Sleeve - Brass 7. End - 3/8 OD Compression - Nickel Plated Brass | <ul style="list-style-type: none"> 8. PTFE Seals 9. Ball - Plated Brass 10. End - 3/8 FIP - Nickel Plated Brass 11. Tapered Sleeve - Brass 12. Nut - 3/8 OD Compression - Plated Brass 13. End - 3/8 OD Compression - Nickel Plated Brass 14. Body - Chrome Plated Brass |
|--|---|

Working Pressure: 250 psi / 250°F
depending on pipe material.

, UPC.
 NSF / ANSI 61-G
 NSF / ANSI 372

Designed and Manufactured in
Canada

Also available: Loose Key with Screwdriver Slot operation



dahl brothers canada limited

2600 S. SHERIDAN WAY, MISSISSAUGA, ON, CANADA L5J 2M4
 905-822-2330 CAN 800-268-5355 U.S. 800-268-2363
 FAX(905) 855-1450, USA AND CANADA 800-226-1801
sales@dahlvalve.com www.dahlvalve.com

We reserve the right to alter prices and/or technical details without notice