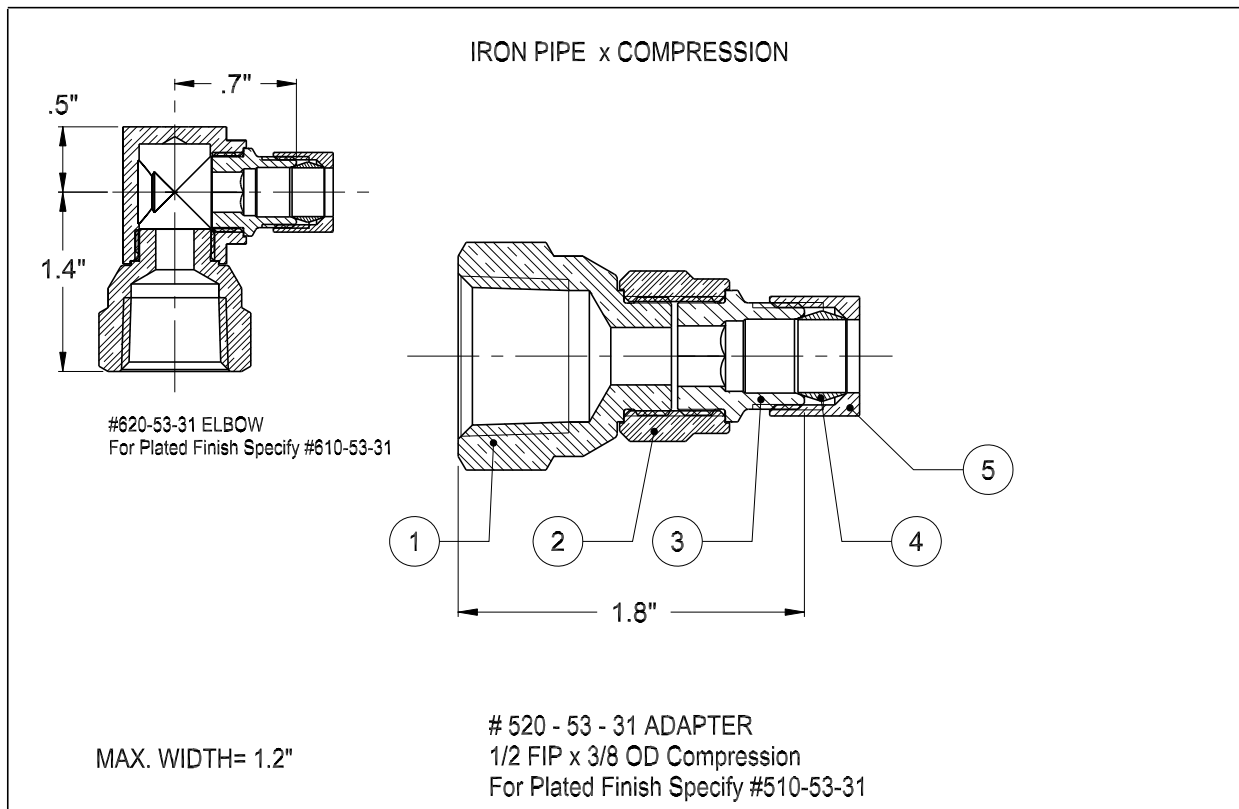


# dahl-ECO mini-ball™ Adapter/Elbow

Lead-Free Compliant - Plumbing



Description below is for Part# 520-53-31

- |                                     |                                     |
|-------------------------------------|-------------------------------------|
| 1. End - 1/2 FIP - Brass            | 4. Tapered Sleeve - Brass           |
| 2. Adapter Body - Brass             | 5. Nut - 3/8 OD Compression - Brass |
| 3. End - 3/8 OD Compression - Brass |                                     |

Working Pressure: 250 psi / 250°F  
depending on pipe material.

 , UPC  
NSF / ANSI 61-G  
NSF / ANSI 372

Designed and Manufactured in  
Canada

For End of Line Use Only



## dahl brothers canada limited

2600 S. SHERIDAN WAY, MISSISSAUGA, ON, CANADA L5J 2M4  
905-822-2330 CAN 800-268-5355 U.S. 800-268-2363  
FAX(905) 855-1450, USA AND CANADA 800-226-1801  
[sales@dahlvalve.com](mailto:sales@dahlvalve.com) [www.dahlvalve.com](http://www.dahlvalve.com)

We reserve the right to alter prices and/or technical details without notice