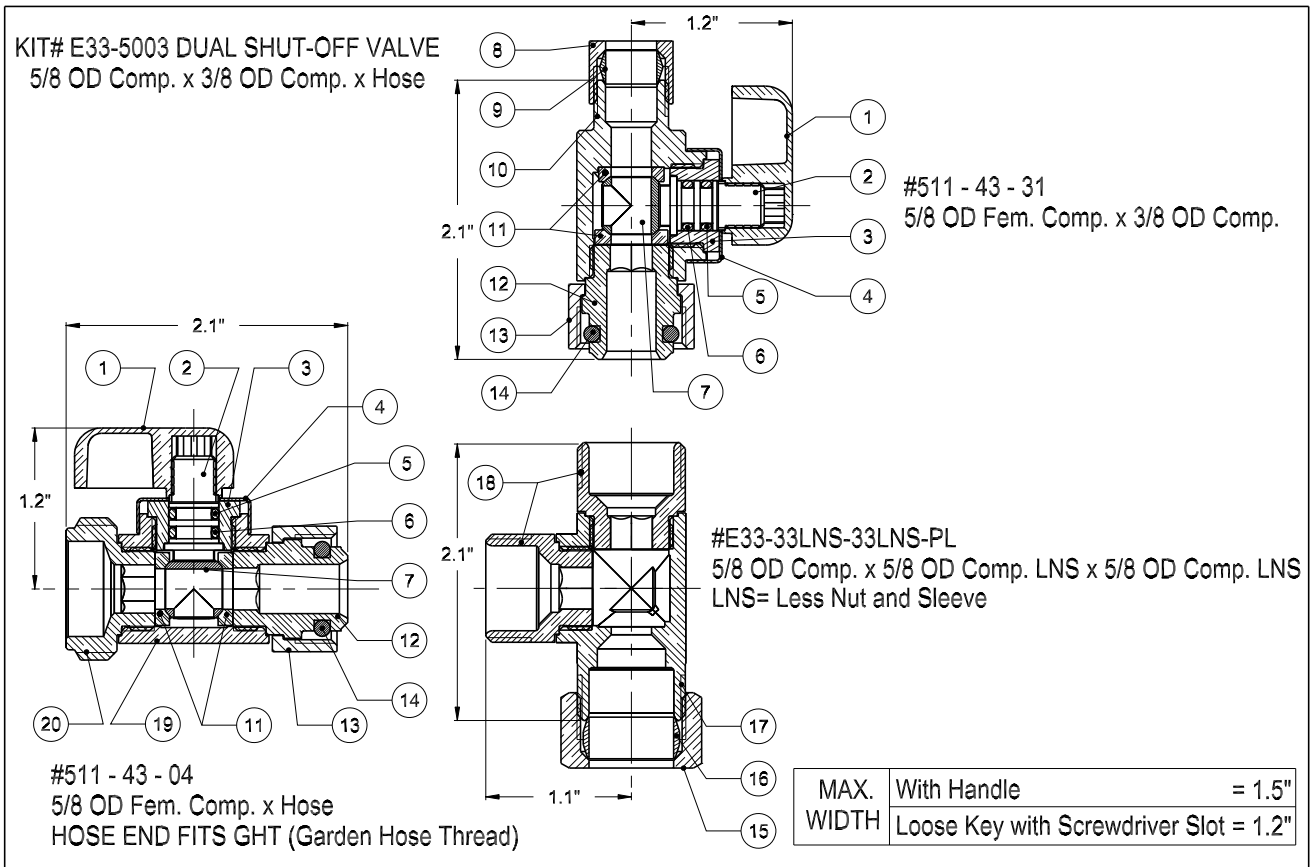


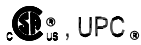
dahl-ECO mini-ball™ Valve

Lead-Free Compliant - Plumbing

TDS - 668
New May/15



- | | |
|---|---|
| 1. Handle - Nickel Plated Zinc | 11. Seals - PTFE |
| 2. Spindle - Nickel Plated Brass | 12. End - 5/8 OD Female Compression - Brass |
| 3. Spindle Bushing - Brass | 13. Nut - Female Compression - Chrome Plated Brass |
| 4. Stop Cap - Nickel Plated Brass | 14. O-Ring - EPDM |
| 5. O-Ring - EPDM | 15. Nut - 5/8 OD Compression - Plated Brass |
| 6. O-Ring - Fluorocarbon (FKM) | 16. Tapered Sleeve - Brass |
| 7. Ball - Plated Brass | 17. Body with Integral End - 5/8 OD Comp. - Chrome Plated Brass |
| 8. Nut - 3/8 OD Compression - Plated Brass | 18. End - 5/8 OD Compression - Nickel Plated Brass |
| 9. Tapered Sleeve - Brass | 19. Body - Chrome Plated Brass |
| 10. Body with Integral End - 3/8 OD Compression - Chrome Plated Brass | 20. End - Hose - Nickel Plated Brass |



Working Pressure: 250 psi / 250°F
depending on pipe material.

NSF / ANSI 61-G
NSF / ANSI 372

Designed and Manufactured in
Canada

Also Available: Loose Key with Screwdriver Slot Operation



dahl brothers canada limited

2600 S. SHERIDAN WAY, MISSISSAUGA, ON, CANADA L5J 2M4
905-822-2330 CAN 800-268-5355 U.S. 800-268-2363
FAX(905) 855-1450, USA AND CANADA 800-226-1801
[www.sales@dahlvalve.com](mailto:sales@dahlvalve.com) www.dahlvalve.com

We reserve the right to alter prices and/or technical details without notice