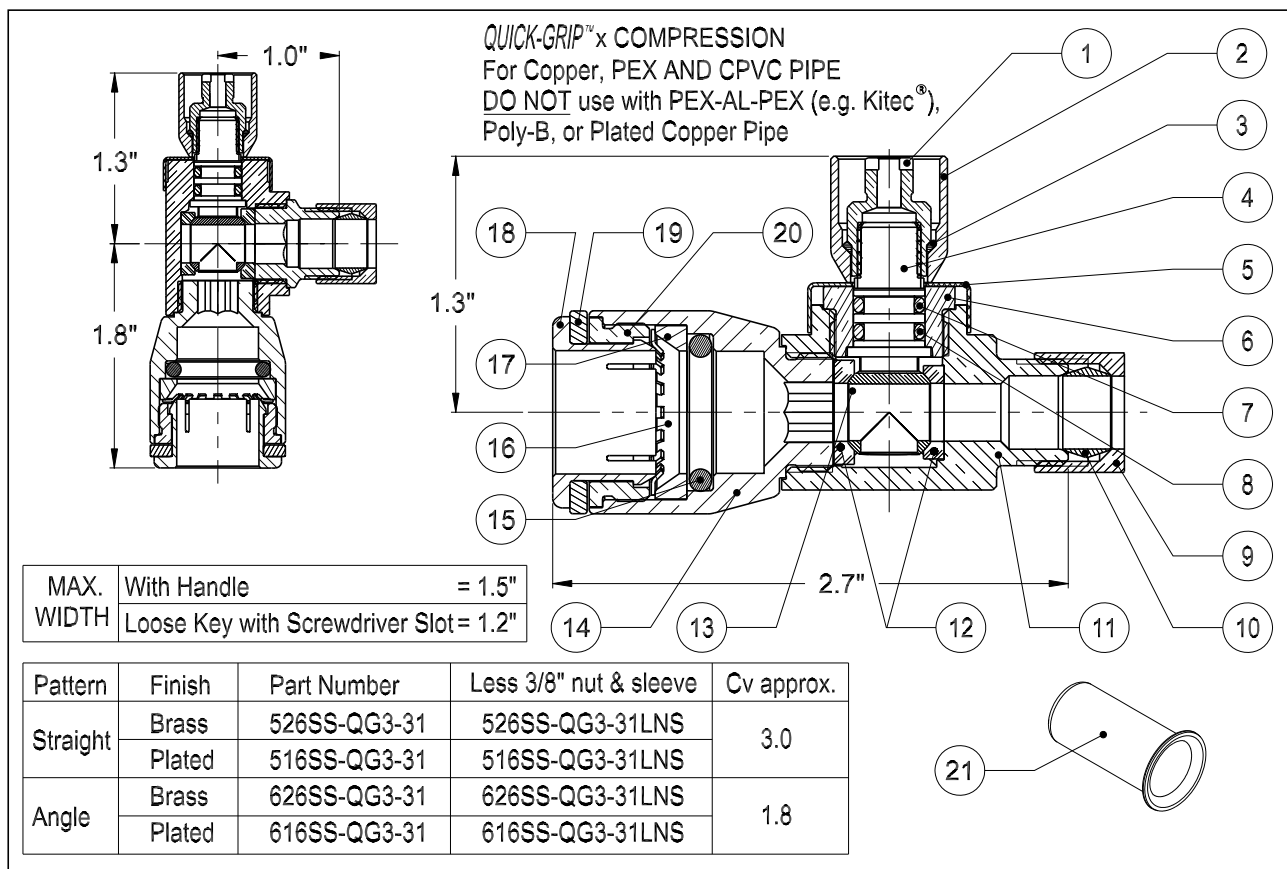


dahl-ECO mini-ball™ Valve

Lead-Free Compliant - Plumbing



Description below is for Part# 516SS-QG3-31

- | | |
|---|---|
| 1. Loose Key Adapter with Screwdriver Slot - Nickel Plated Brass | 12. Seals - PTFE |
| 2. Lockshield - Nickel Plated Brass | 13. Ball - Plated Brass |
| 3. Spacer - PTFE | 14. Housing - Chrome Plated Brass |
| 4. Spindle - Nickel Plated Brass | 15. O-Ring - EPDM |
| 5. Stop Cap - Nickel Plated Brass | 16. Retaining Clip - Stainless Steel |
| 6. Spindle Bushing - Brass | 17. O-ring Protector - Nylon |
| 7. O-Ring - EPDM | 18. Release Sleeve - Nylon |
| 8. O-Ring - Fluorocarbon (FKM) | 19. Locking Clip - Acetal |
| 9. Nut - 3/8 OD Compression - Plated Brass | 20. Retaining Nut - Nickel Plated Brass |
| 10. Tapered Sleeve - Brass | 21. Insert for PEX pipe - Stainless Steel |
| 11. Body with Integral End - 3/8 OD Comp. End - Chrome Plated Brass | |

Working Pressure/Temperature: Up to 125 PSI / 180°F
depending on pipe material.

US, UPC
NSF / ANSI 61-G
NSF / ANSI 372

Designed and Manufactured in
Canada

Also available with Handle operation



dahl brothers canada limited

2600 S. SHERIDAN WAY, MISSISSAUGA, ON, CANADA L5J 2M4
905-822-2330 CAN 800-268-5355 U.S. 800-268-2363
FAX(905) 855-1450, USA AND CANADA 800-226-1801
sales@dahlvalve.com www.dahlvalve.com

We reserve the right to alter prices and/or technical details without notice