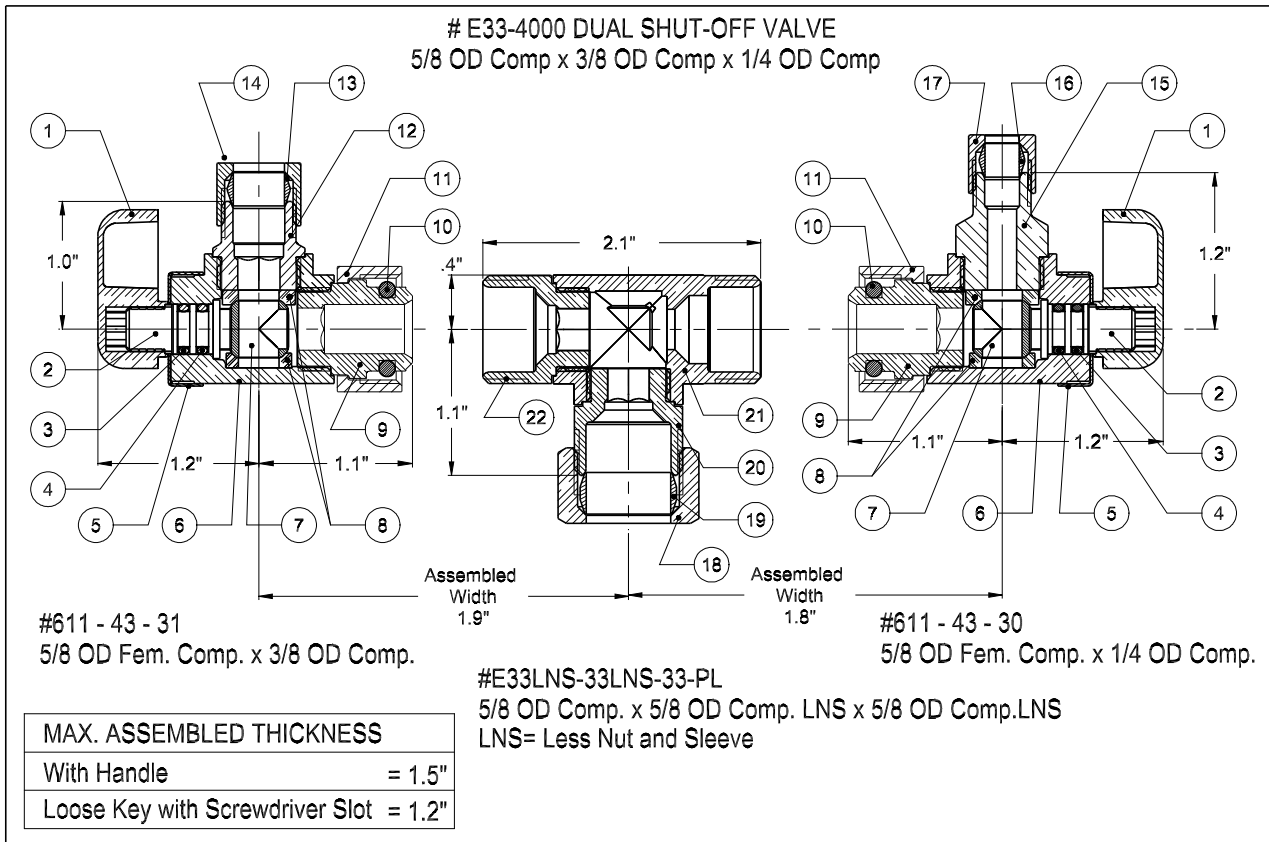


# dahl-ECO mini-ball™ Valve

TDS - 673  
New Jul/15

Lead-Free Compliant - Plumbing



- |   |   |
|---|---|
| 1. Handle - Nickel Plated Zinc              | 12. End - 3/8 OD Compression - Nickel Plated Brass                    |
| 2. Spindle - Nickel Plated Brass            | 13. Tapered Sleeve - Brass  |
| 3. O-ring - EPDM                            | 14. Nut - 3/8 OD Compression - Plated Brass                           |
| 4. O-ring - Fluorocarbon (FKM)              | 15. End - 1/4 OD Compression - Nickel Plated Brass                    |
| 5. Stop Cap - Nickel Plated Brass           | 16. Tapered Sleeve - Brass  |
| 6. Body - Chrome Plated Brass               | 17. Nut - 1/4 OD Compression - Plated Brass                           |
| 7. Ball - Plated Brass                      | 18. Nut - 5/8 OD Compression - Plated Brass                           |
| 8. Seals - PTFE                             | 19. Tapered Sleeve - Brass  |
| 9. End - 5/8 OD Fem. Compression - Brass    | 20. End - 5/8 OD Compression - Nickel Plated Brass                    |
| 10. O-ring - EPDM                           | 21. Body with Integratal End - 5/8 OD Comp. End - Chrome Plated Brass |
| 11. Nut - 5/8 OD Compression - Plated Brass | 22. End - 5/8 OD Compression - Nickel Plated Brass                    |

Working Pressure: 250 psi / 250°F  
depending on pipe material.

 , UPC<sub>US</sub>  
NSF / ANSI 61-G  
NSF / ANSI 372

Designed and Manufactured in  
Canada

Also available: Loose Key with Screwdriver Slot operation



**dahl brothers canada limited**

2600 S. SHERIDAN WAY, MISSISSAUGA, ON, CANADA L5J 2M4  
905-822-2330 CAN 800-268-5355 U.S. 800-268-2363  
FAX(905) 855-1450, USA AND CANADA 800-226-1801  
[sales@dahlvalve.com](mailto:sales@dahlvalve.com) [www.dahlvalve.com](http://www.dahlvalve.com)

We reserve the right to alter prices and/or technical details without notice