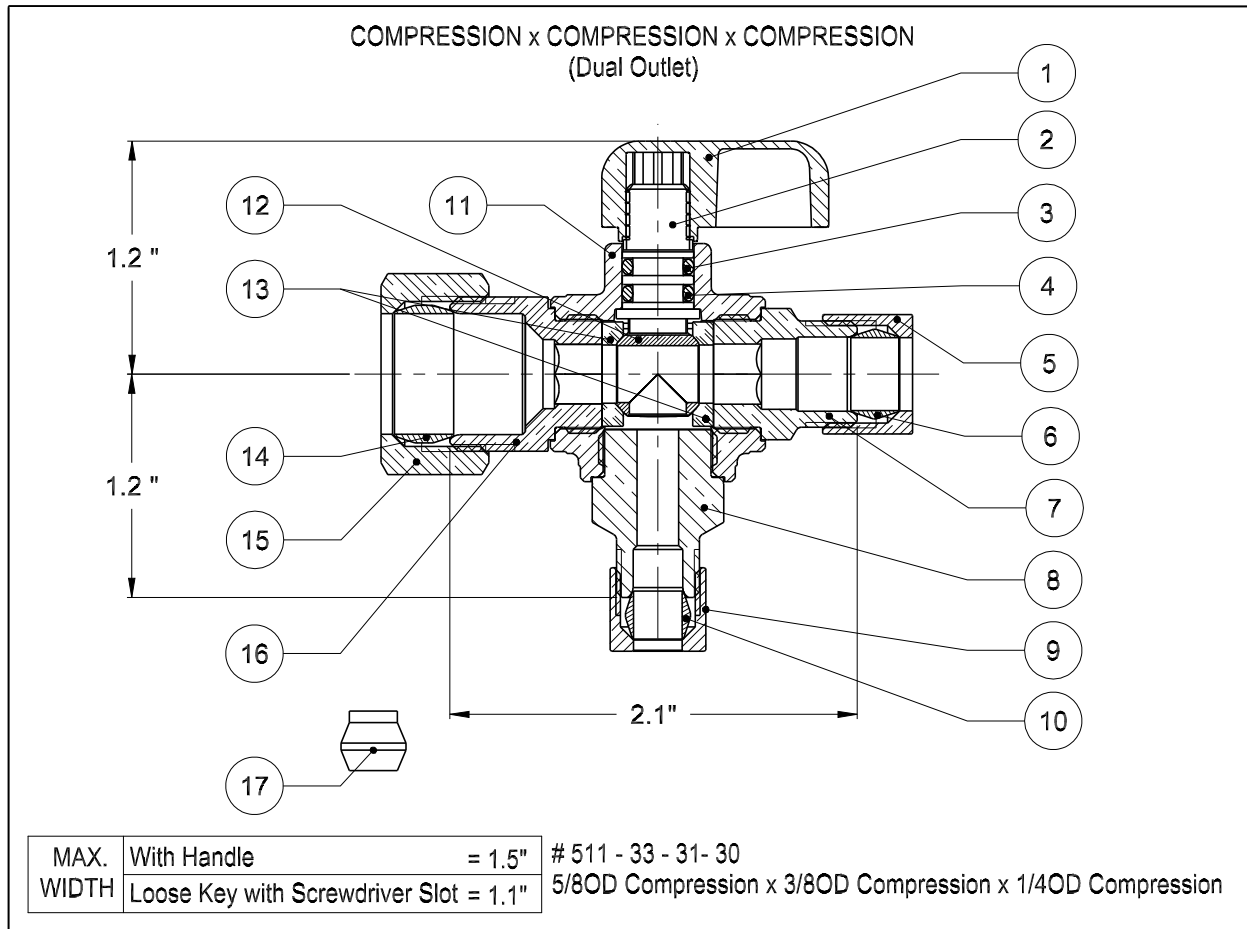


dahl-ECO mini-ball™ Valve

Lead-Free Compliant - Plumbing

TDS - 675
New Jul/15



- | | |
|---|---|
| 1. Handle - Nickel Plated Zinc | 10. Tapered Sleeve - Brass |
| 2. Spindle - Nickel Plated Brass | 11. Body - Chrome Plated Brass |
| 3. O-ring - EPDM | 12. Ball - Plated Brass |
| 4. O-ring - Fluorocarbon (FKM) | 13. Seals - PTFE |
| 5. Nut - 3/8OD Compression - Plated Brass | 14. Tapered Sleeve - Brass |
| 6. Tapered Sleeve - Brass | 15. Nut - 5/8OD Compression - Plated Brass |
| 7. End - 3/8OD Compression - Nickel Plated Brass | 16. End - 5/8OD Compression - Nickel Plated Brass |
| 8. End - 1/4 OD Compression - Nickel Plated Brass | 17. Plug - 1/4OD Compression - Brass |
| 9. Nut - 1/4 OD Compression - Plated Brass | |

Working Pressure: 250 psi / 250°F
depending on pipe material.



NSF / ANSI 61-G

NSF / ANSI 372

Designed and Manufactured in
Canada

Also available: Loose Key with Screwdriver Slot operation



dahl brothers canada limited

2600 S. SHERIDAN WAY, MISSISSAUGA, ON, CANADA L5J 2M4
905-822-2330 CAN 800-268-5355 U.S. 800-268-2363
FAX(905) 855-1450, USA AND CANADA 800-226-1801
sales@dahlvalve.com www.dahlvalve.com

We reserve the right to alter prices and/or technical details without notice