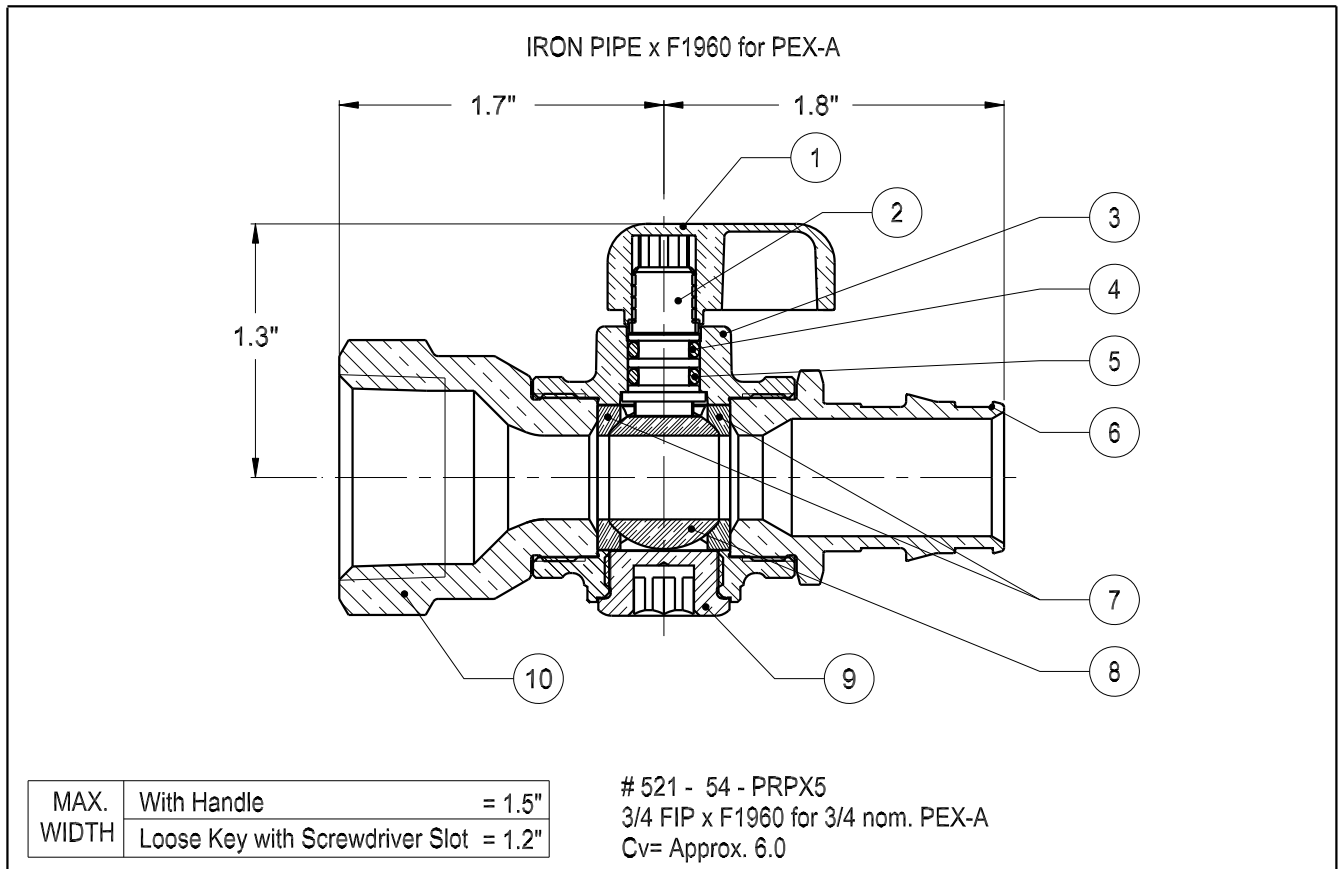


dahl-ECO mini-ball™ Valve

Lead-Free Compliant - Plumbing

TDS - 691
New Feb/16



- | | |
|----------------------------------|---|
| 1. Handle - Nickel Plated Zinc | 6. End - F1960 for 3/4 nom. PEX-A - Brass |
| 2. Spindle - Nickel Plated Brass | 7. Seals - PTFE |
| 3. Body - Brass | 8. Ball - Plated Brass |
| 4. O-Ring - EPDM | 9. Plug - Brass |
| 5. O-Ring - Fluorocarbon (FKM) | 10. End - 3/4 FIP - Brass |

Working Pressure: 250 psi / 250°F
depending on pipe material.

 , UPC
NSF / ANSI 61-G
NSF / ANSI 372

Designed and Manufactured in
Canada

Also available: Loose Key with Screwdriver Slot operation



dahl brothers canada limited

2600 S. SHERIDAN WAY, MISSISSAUGA, ON, CANADA L5J 2M4
905-822-2330 CAN 800-268-5355 U.S. 800-268-2363
FAX(905) 855-1450, USA AND CANADA 800-226-1801
sales@dahlvalve.com www.dahlvalve.com

We reserve the right to alter prices and/or technical details without notice