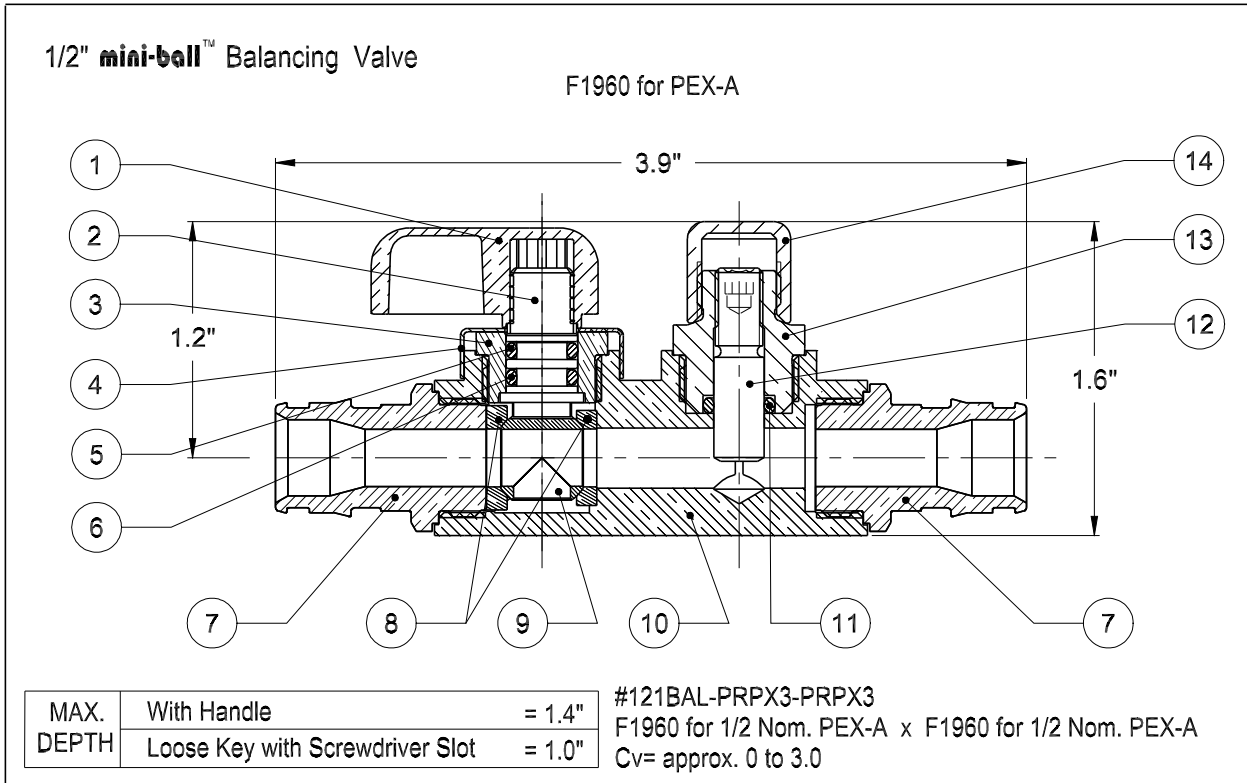


dahl **mini-ball**™ Valve

Heating, Cooling - NOT FOR POTABLE



Text Below Represents Brass Finish

- | | |
|--|--|
| <ul style="list-style-type: none"> 1. Handle - Nickel Plated Zinc 2. Spindle - Nickel Plated Brass 3. Spindle Bushing - Brass 4. Handle Stop Cap - Brass 5. O-Ring - EPDM 6. O-Ring - Fluorocarbon (FKM) 7. End - F1960 for 1/2 Nom. PEX-A - Brass 8. Seals - PTFE | <ul style="list-style-type: none"> 9. Ball - Plated Brass 10. Body - Brass 11. O-Ring - Fluorocarbon (FKM) 12. Metering Spindle - Nickel Plated Brass 13. Spindle Bushing - Brass 14. Safety Cap - Brass |
|--|--|

Working Pressure: 250 psi / 250°F
depending on pipe material.

ASTM F1960

Designed and Manufactured in
Canada

Maximum Glycol Mix: 50%
Follow glycol manufacturer recommendations



dahl brothers canada limited

2600 S. SHERIDAN WAY, MISSISSAUGA, ON, CANADA L5J 2M4
 905-822-2330 CAN 800-268-5355 U.S. 800-268-2363
 FAX(905) 855-1450, USA AND CANADA 800-226-1801
sales@dahlvalve.com www.dahlvalve.com

We reserve the right to alter prices and/or technical details without notice