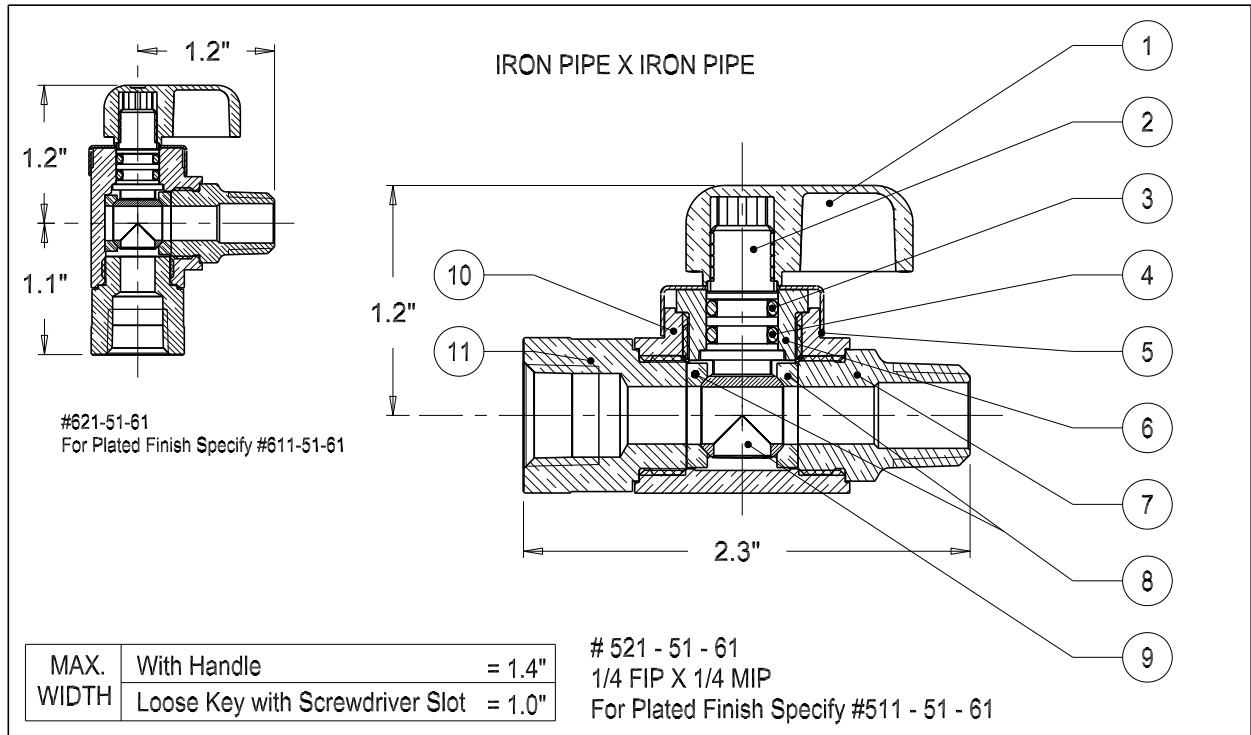


# dahl-ECO mini-ball™ Valve

Lead-Free Compliant - Plumbing, Heating, Cooling



Text Below Represents Brass Finish

- |   |  |
|---|--|
| <ul style="list-style-type: none"> <li>1. Handle - Nickel Plated Zinc</li> <li>2. Spindle - Nickel Plated Brass</li> <li>3. O-Ring - EPDM</li> <li>4. O-Ring - Fluorocarbon (FKM)</li> <li>5. Stop Cap - Brass</li> <li>6. Spindle Bushing - Brass</li> </ul> | <ul style="list-style-type: none"> <li>7. End - 1/4 MIP - Brass</li> <li>8. Seals - PTFE</li> <li>9. Ball - Plated Brass</li> <li>10. Body - Brass</li> <li>11. End - 1/4 FIP - Brass</li> </ul> |
|---|--|

Working Pressure: 250 psi / 250°F  
depending on pipe material.

, UPC®  
 NSF / ANSI 61-G  
 NSF / ANSI 372

Designed and Manufactured in  
Canada

Also available: Loose Key with Screwdriver Slot operation



## dahl brothers canada limited

2600 S. SHERIDAN WAY, MISSISSAUGA, ON, CANADA L5J 2M4  
 905-822-2330      CAN 800-268-5355      U.S. 800-268-2363  
 FAX(905) 855-1450, USA AND CANADA 800-226-1801  
[sales@dahlvalve.com](mailto:sales@dahlvalve.com)      [www.dahlvalve.com](http://www.dahlvalve.com)