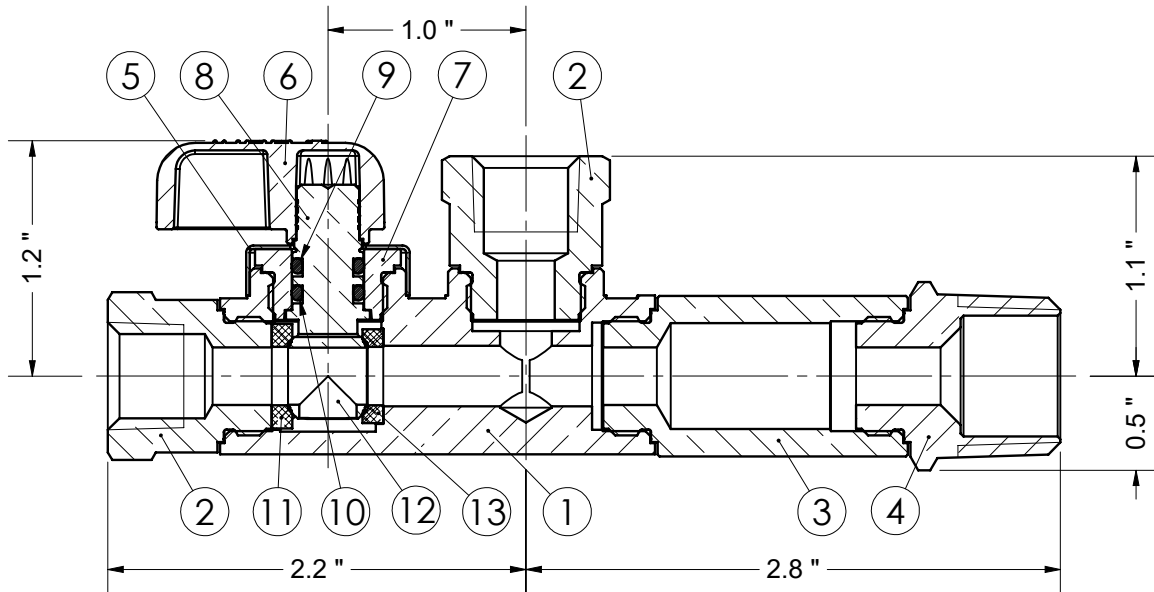


dahl mini-ball™ Valve

Plumbing, Heating, Cooling

TDS - 858
New Jun/24

IRON PIPE x COPPER / IRON PIPE x IRON PIPE



MAX	Handle Closed	= 1.4"
Depth	Loose Key with Screwdriver Slot	= 1.0"

521BLD - 51 - 01L - 51
1/4 FIP x 1/2 Dual (C or MIP) Ext. x 1/4 FIP

- | | |
|-------------------------------------|---------------------------------|
| 1 Body - Brass | 8 Spindle - Nickel Plated Brass |
| 2 End - 1/4 FIP - Brass | 9 O-Ring - EPDM |
| 3 Extension - Brass | 10 O-Ring - FKM (Fluorocarbon) |
| 4 End - 1/2 Dual (C or MIP) - Brass | 11 Seal - PTFE |
| 5 Handle Stop Cap - Brass | 12 Ball - Plated Brass |
| 6 Handle - Nickel Plated Zinc | 13 Seal - PTFE |
| 7 Spindle Bushing - Brass | |

Working Pressure: 250 psi / 250 °F
depending on pipe material

Designed and Manufactured in
Canada

Maximum Glycol Mix: 50%
Follow glycol manufacturer recommendations

DO NOT DISMANTLE - SOLDER IN OPEN POSITION

Also available: Loose Key with Screwdriver Slot operation

dahl Valve Limited

2600 S. SHERIDAN WAY, MISSISSAUGA, ON, CANADA L5J 2M4
905-822-2330 CAN 800-268-5355 U.S. 800-268-2363
FAX(905 855-1450, USA AND CANADA 800-226-1801
sales@dahlvalve.com www.dahlvalve.com

We reserve the right to alter prices and/or technical details without notice