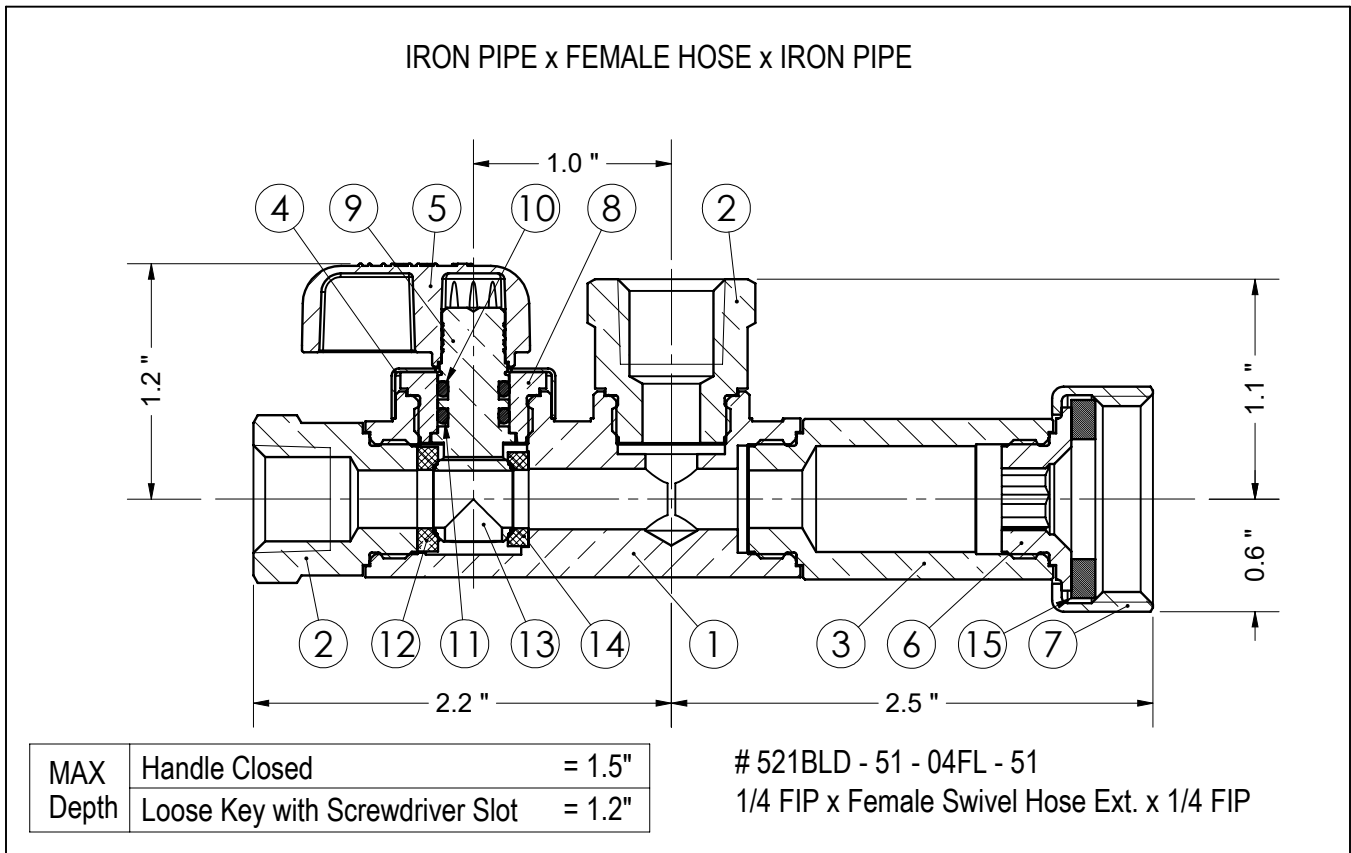


# dahl mini-ball™ Valve

Plumbing, Heating, Cooling

TDS - 859  
New Jun/24



- |  |   |
|--|---|
| <ul style="list-style-type: none"> <li>1 Body - Brass</li> <li>2 End - 1/4 FIP - Brass</li> <li>3 Extension - Brass</li> <li>4 Handle Stop Cap - Brass</li> <li>5 Handle - Nickel Plated Zinc</li> <li>6 End - Female Hose Swivel - Brass</li> <li>7 Hose Coupling - Brass</li> <li>8 Spindle Bushing - Brass</li> </ul> | <ul style="list-style-type: none"> <li>9 Spindle - Nickel Plated Brass</li> <li>10 O-Ring - EPDM</li> <li>11 O-Ring - FKM (Fluorocarbon)</li> <li>12 Seal - PTFE</li> <li>13 Ball - Plated Brass</li> <li>14 Seal - PTFE</li> <li>15 Gasket - EPDM</li> </ul> |
|--|---|

Working Pressure: 250 psi / 250 °F  
depending on pipe material

Designed and Manufactured in  
Canada

Maximum Glycol Mix: 50%  
Follow glycol manufacturer recommendations

Also available: Loose Key with Screwdriver Slot operation

## dahl Valve Limited

2600 S. SHERIDAN WAY, MISSISSAUGA, ON, CANADA L5J 2M4  
 905-822-2330 CAN 800-268-5355 U.S. 800-268-2363  
 FAX(905 855-1450, USA AND CANADA 800-226-1801  
[sales@dahlvalve.com](mailto:sales@dahlvalve.com) [www.dahlvalve.com](http://www.dahlvalve.com)

We reserve the right to alter prices and/or technical details without notice